

# Part List

## B42

Unit: inch

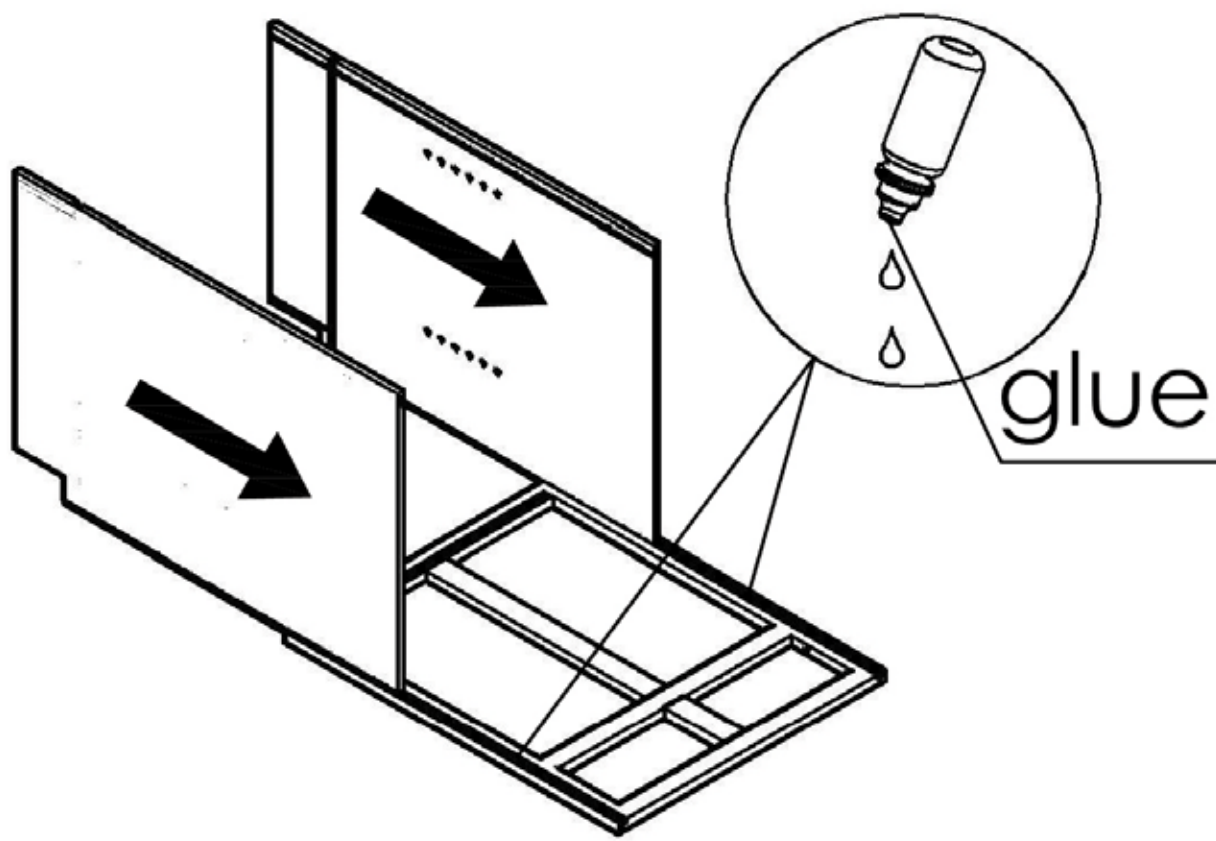
No	Picture	Specification	Qty
A		Screw Ø3*1/2"	32
B		Screw Ø3*5/8"	8
C		Screw Ø4*5/8"	4
D		L Bracket	4
E		Drawer Glides	4
F		Glide Connector	4
G		Corner Bracket	4
H		Metal Clip	4
I		Shelf Clip	4
J		Hinges	4
K		Bumper	12

<p>1</p> <p>Left Door</p>	<p>2</p> <p>Right Door</p>	<p>3</p> <p>Face Frame</p>
<p>4</p> <p>Left Side Panel</p>	<p>5</p> <p>Right Side Panel</p>	<p>6</p> <p>Bottom Panel</p>
<p>7</p> <p>Back Panel</p>	<p>8</p> <p>Front Toe kick</p>	<p>9</p> <p>Back Toe kick</p>
<p>10</p> <p>Shelf</p>	<p>11</p> <p>Drawer Front</p>	
<p>12</p> <p>Drawer Sides</p>	<p>13</p> <p>Drawer Back</p>	<p>14</p> <p>Drawer Bottom</p>
		<p>A B C</p>

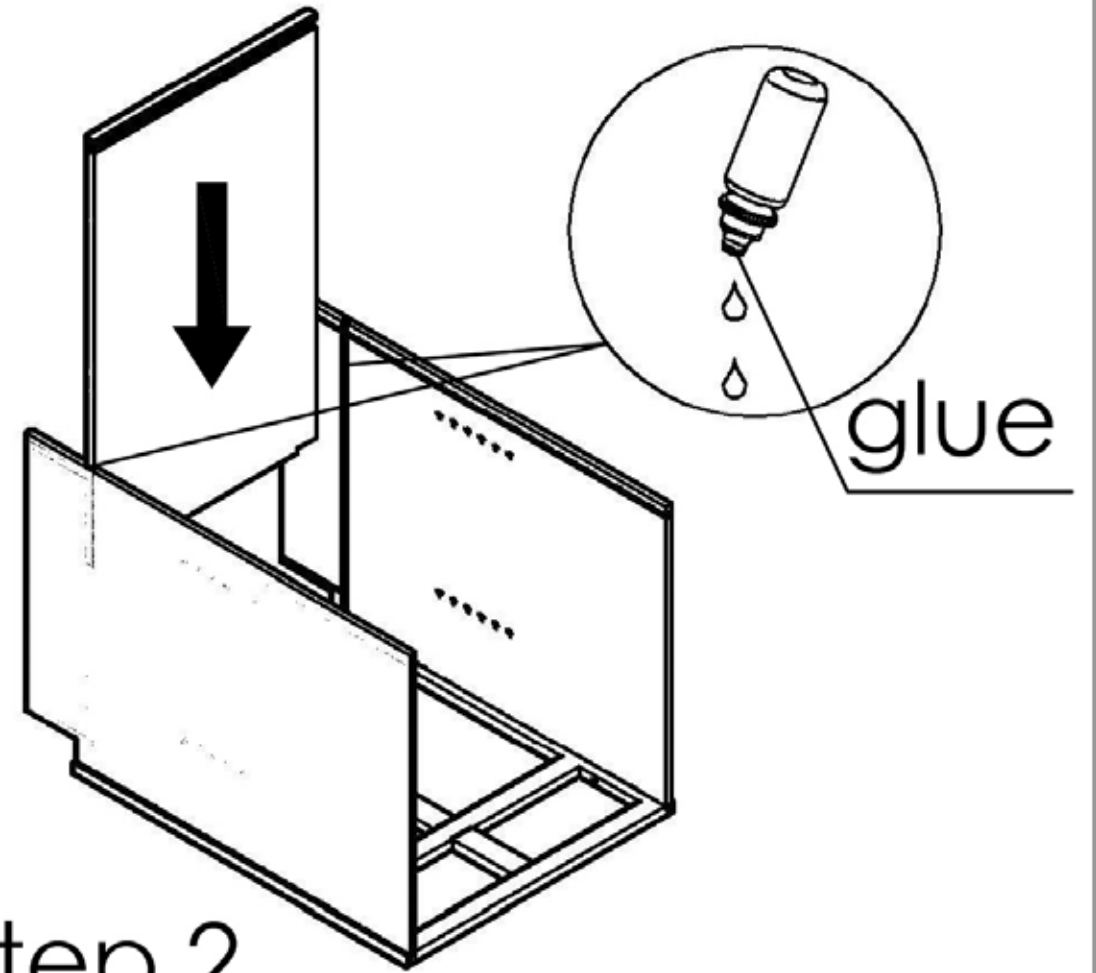


# Assembly instructions

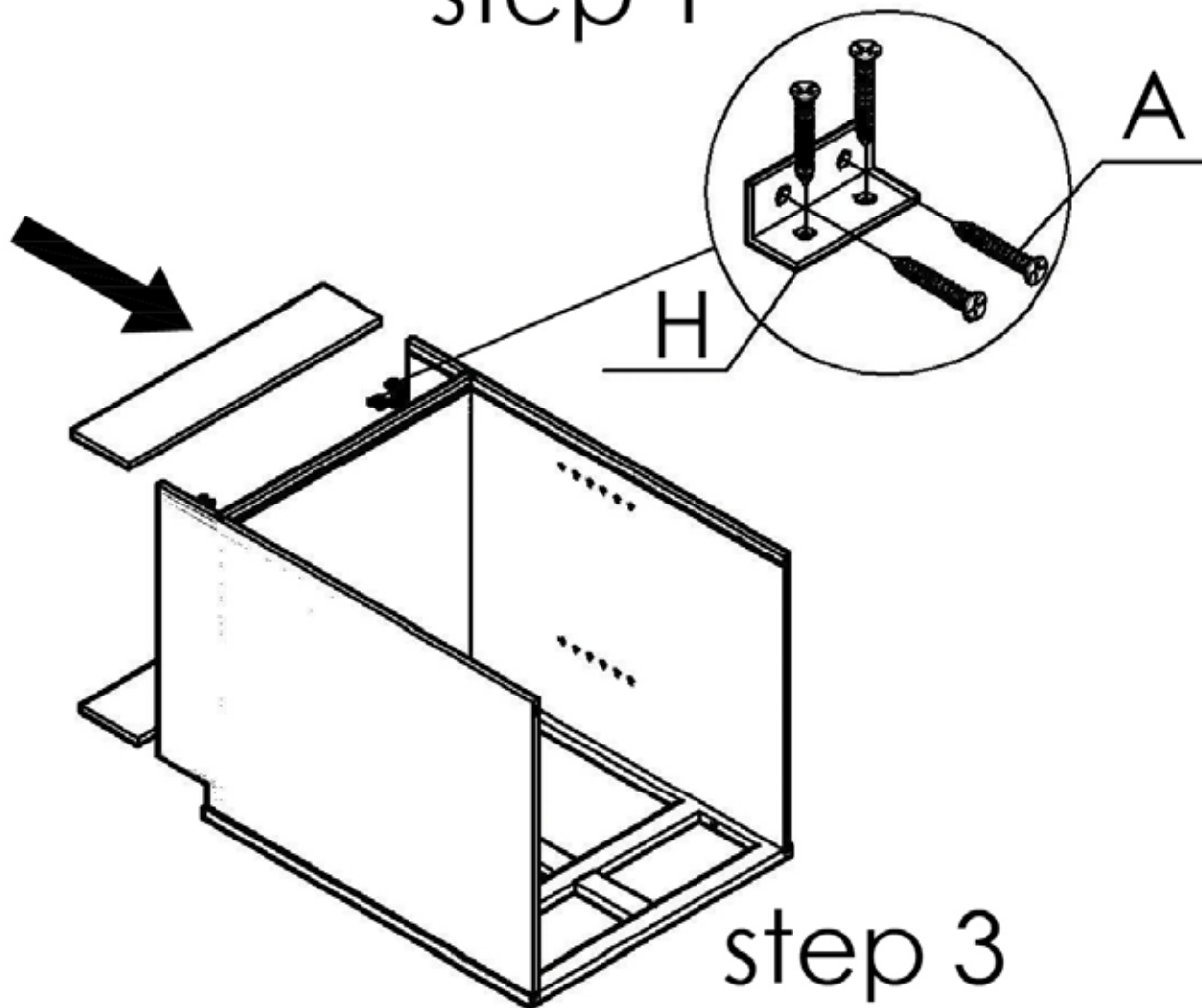
No	Picture	Specification	Qty	No	Picture	Specification	Qty
A		Screw Ø3*1/2"	32	G		Corner Bracket	4
B		Screw Ø3*5/8"	8	H		Metal Clip	4
C		Screw Ø4*5/8"	4	I		Shelf Clip	4
D		L Bracket	4	J		Hinges	4
E		Drawer Glides	4	K		Bumper	12
F		Glide Connector	4				



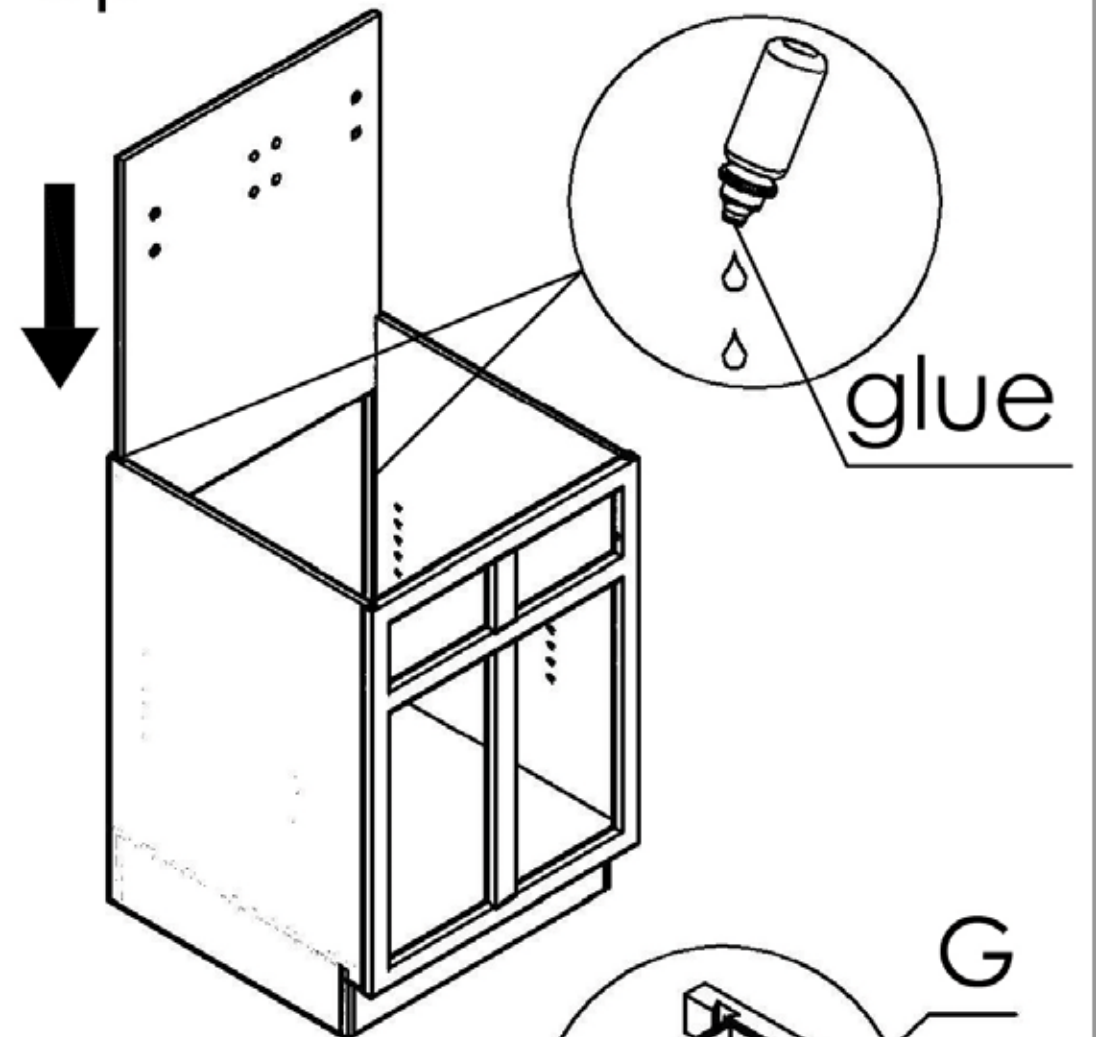
step 1



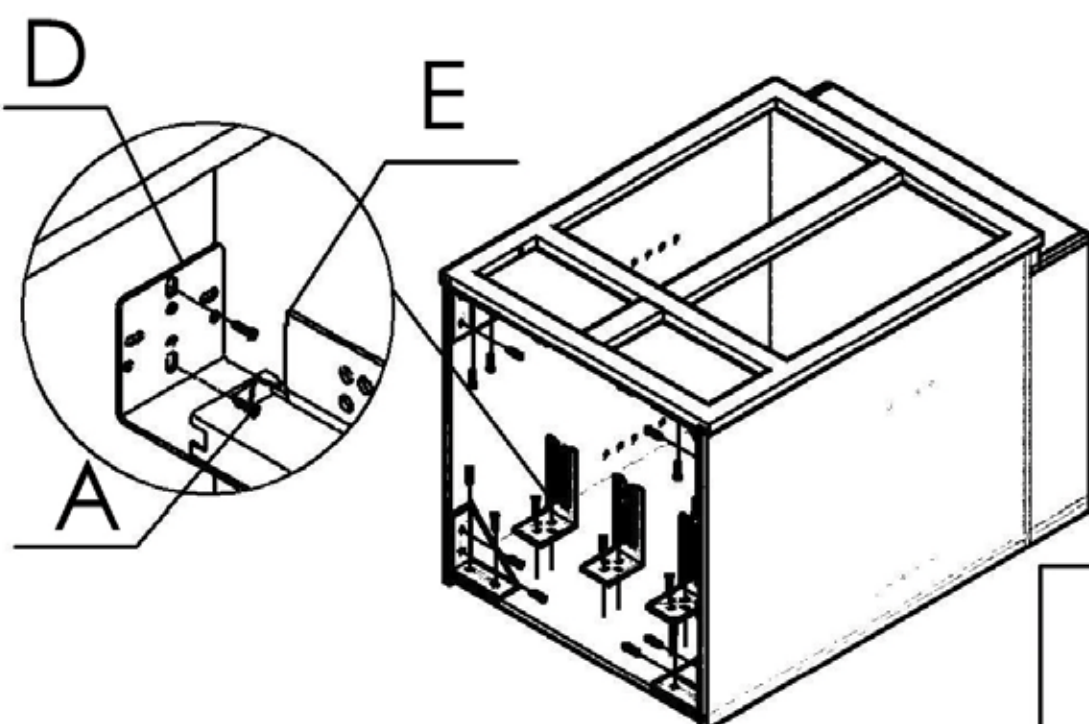
step 2



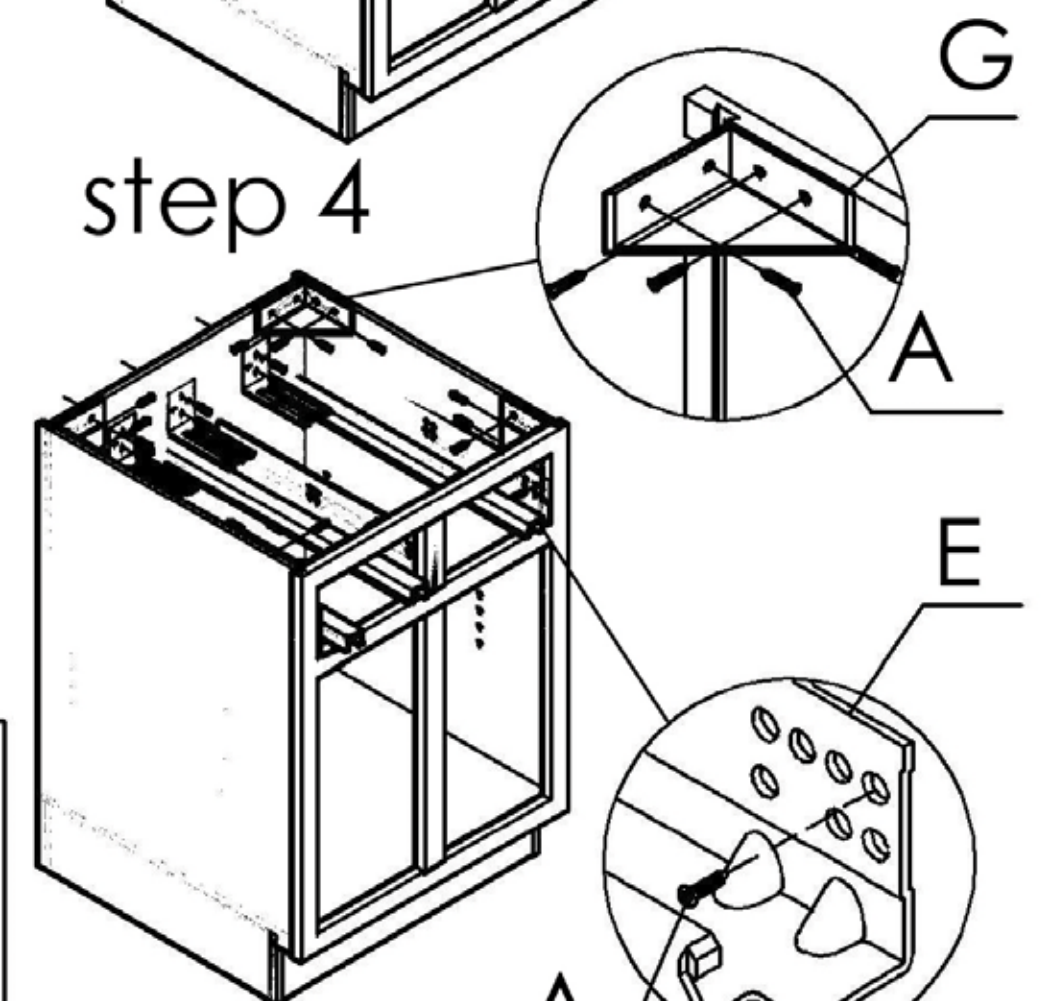
step 3



step 4



step 5



step 6

