


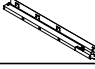



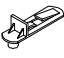
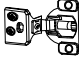


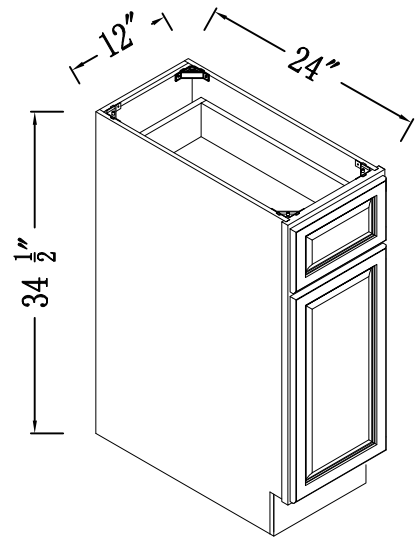


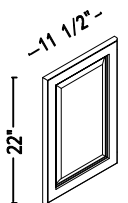
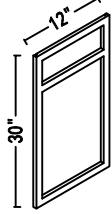
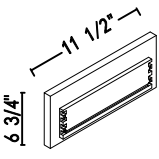
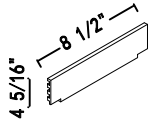
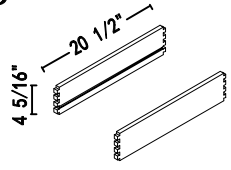
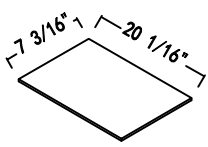
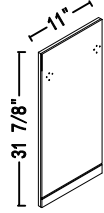
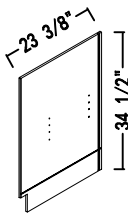
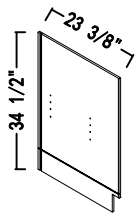
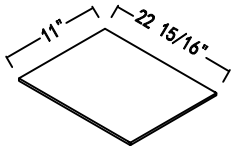
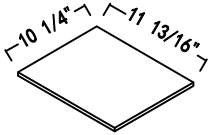
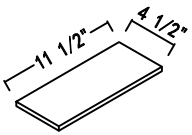
PART LIST

NO.	Picture	Specification	Qty
A		Screws $\varnothing 3 \times 1/2$ "	56
B		Screws $\varnothing 4 \times 1$ "	2
C		L Bracket	2
D		Drawer Glides	2
E		Glide Connector	2
F		Corner Brackets	4
G		Metal Clip	12
H		Shelf Clips	4
I		Hinges	2
J		Screws $\varnothing 4 \times 3/4$ "	2
K		Screws $\varnothing 4 \times 5/8$ "	4











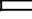


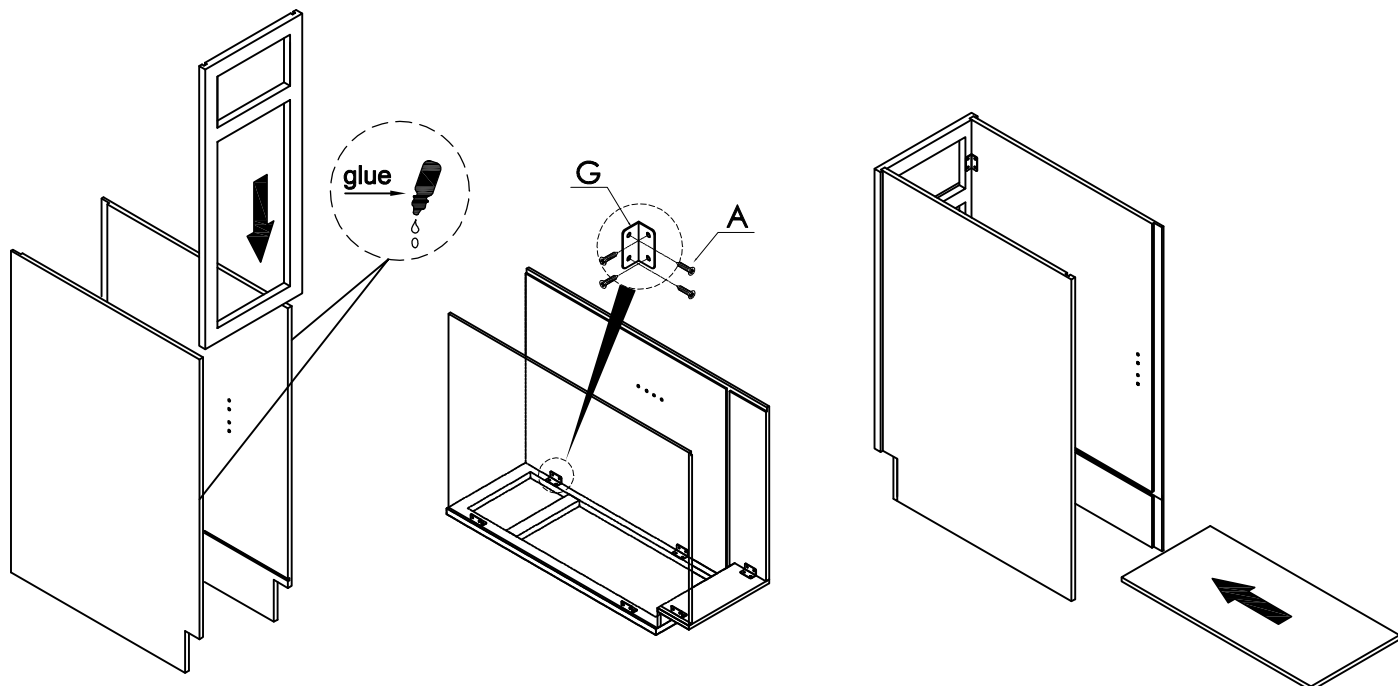
B12

Unit: inch

<p>1</p>  <p>Door</p>	<p>2</p>  <p>Face frame</p>	<p>3</p>  <p>Drawer face</p>	<p>4</p>  <p>Drawer back</p>	<p>5</p>  <p>Drawer Side</p>
<p>6</p>  <p>Drawer bottom</p>	<p>7</p>  <p>Back board</p>	<p>8</p>  <p>Left Side Panel</p>	<p>9</p>  <p>Right Side Panel</p>	<p>10</p>  <p>Bottom</p>
<p>15</p>  <p>Shelf</p>	<p>16</p>  <p>Face TK</p>			

Assembly instructions

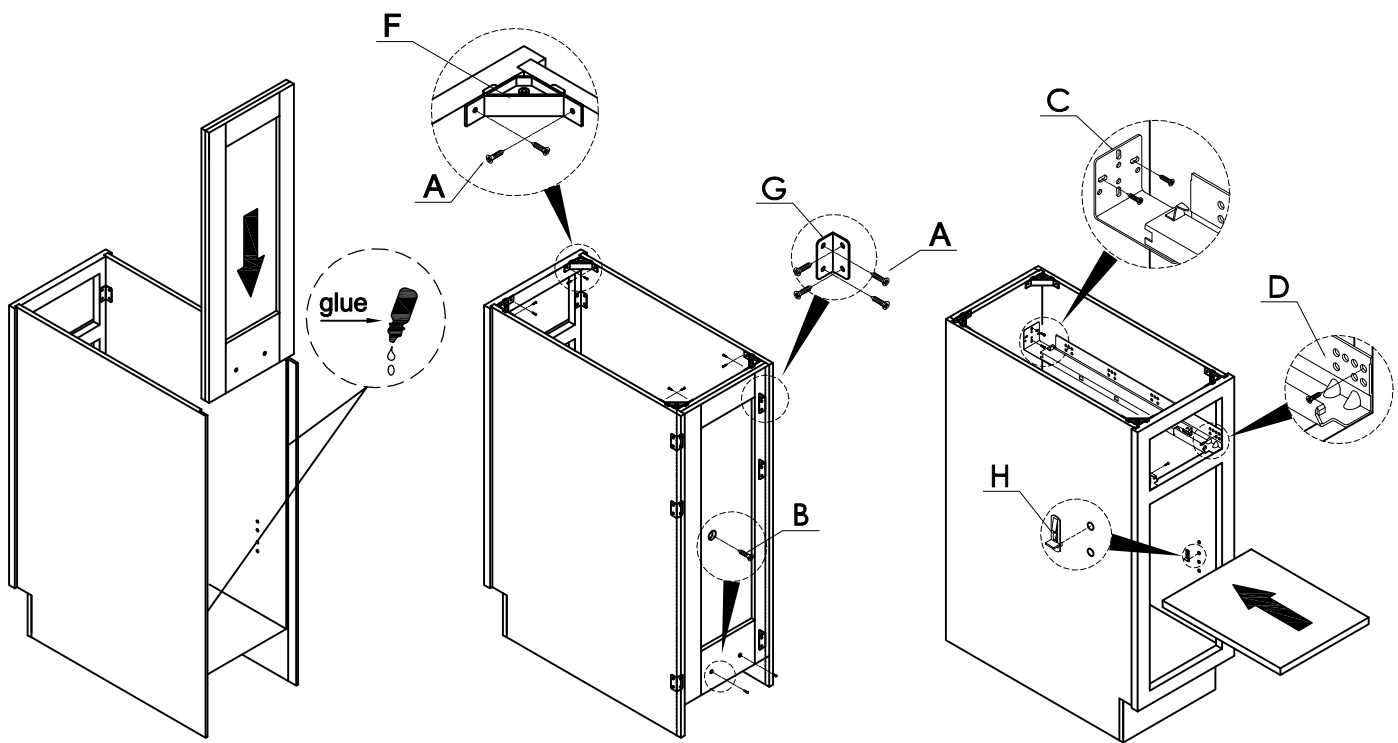
NO.	PICTURE	SIZE	QTY	NO.	PICTURE	SIZE	QTY
A		Screws $\text{Ø}3 \times 1/2''$	56	G		Metal Clip	12
B		Screws $\text{Ø}4 \times 1''$	2	H		Shelf Clip	4
C		L Bracket	2	I		Hinges	2
D		Drawer Glides	2	J		Screws $\text{Ø}4 \times 3/4''$	2
E		Glide Connector	2	K		Screws $\text{Ø}4 \times 5/8''$	4
F		Corner Brackets	4				



step 1

step 2

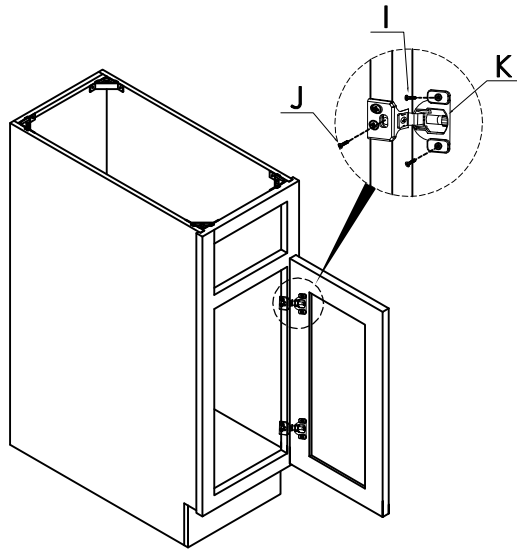
step 3



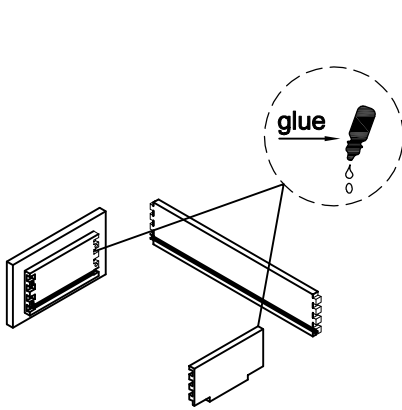
step 4

step 5

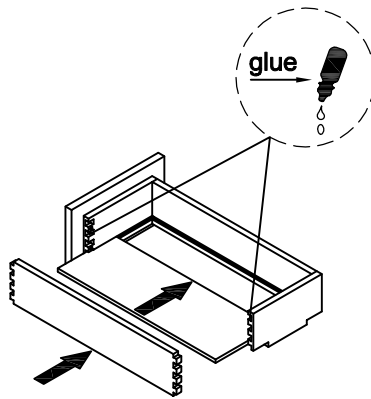
step 6



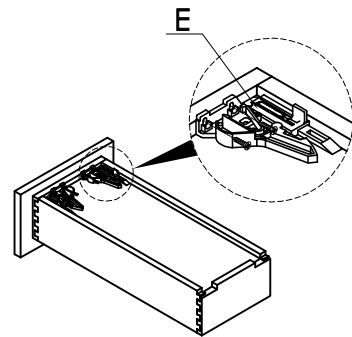
step 7



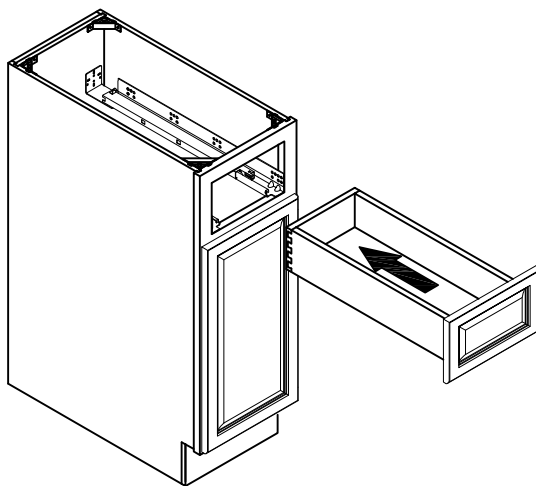
step 8



step 9



step 10



step 11

