


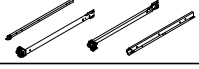


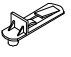
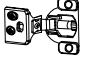


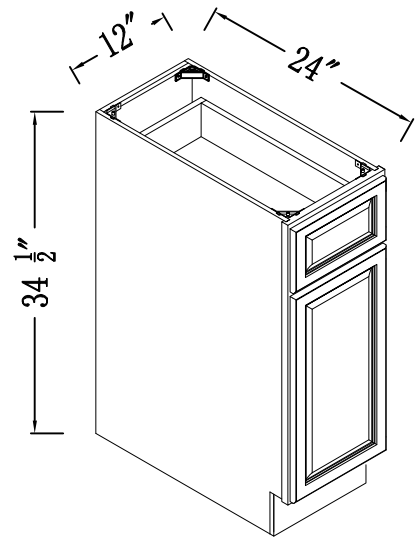


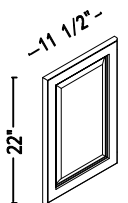
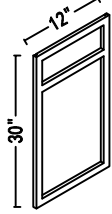
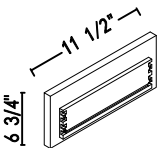
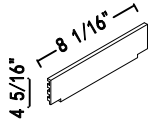
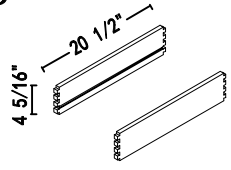
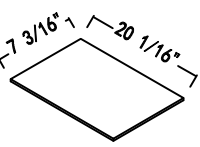

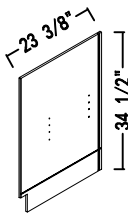
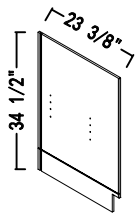
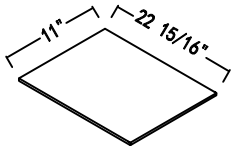
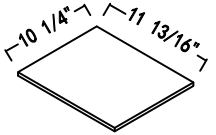
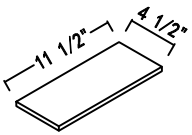
PART LIST

NO.	Picture	Specification	Qty
A		Screws $\text{Ø}3 \times 1/2$ "	56
B		Screws $\text{Ø}4 \times 5/8$ "	12
C		Screws $\text{Ø}4 \times 1$ "	2
D		Drawer Glides	1
E		Corner Brackets	4
F		Metal Clip	12
G		Shelf Clips	4
H		Hinges	2
I		Screws $\text{Ø}4 \times 3/4$ "	2
J		Screws $\text{Ø}4 \times 5/8$ "	4













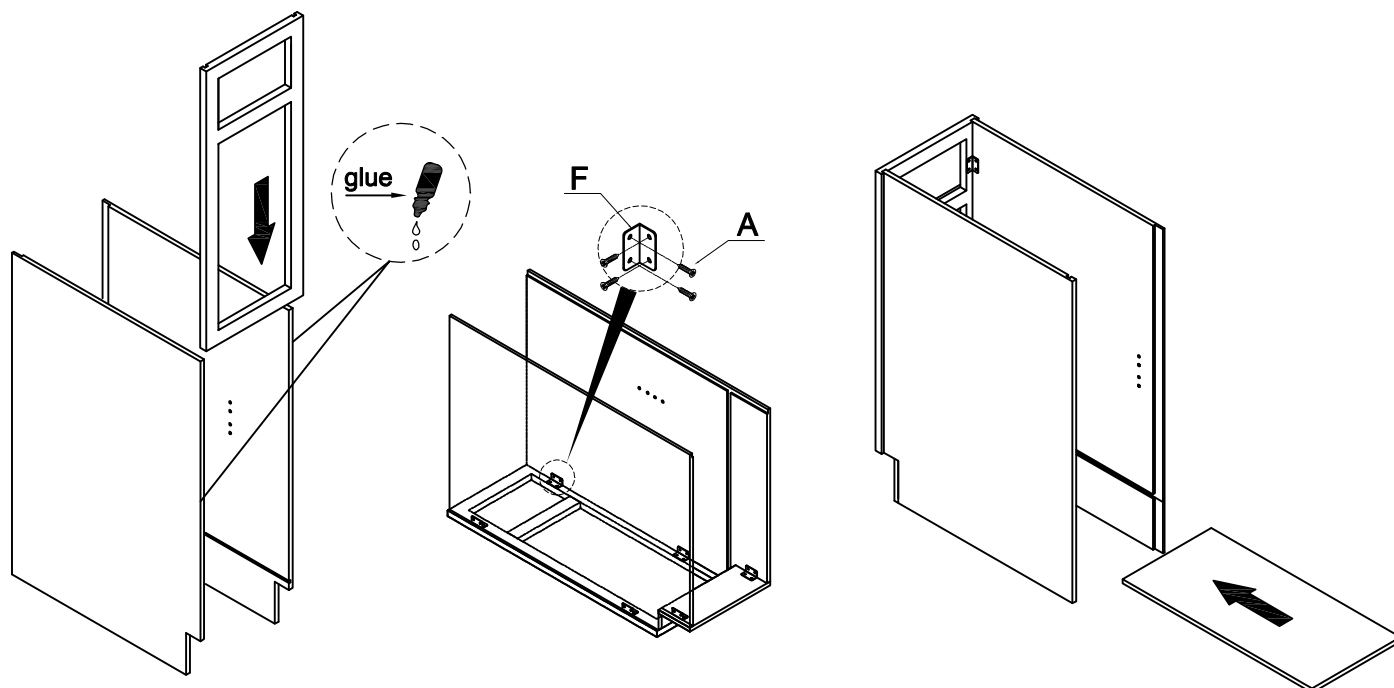
B12

Unit: inch

1  22" x 11 1/2"	2  12" x 30"	3  11 1/2" x 6 3/4"	4  8 1/16" x 4 5/16"	5  20 1/2" x 4 5/16"
Door	Face frame	Drawer face	Drawer back	Drawer Side
6  20 1/16" x 7 3/16"	7  11" x 31 7/8"	8  23 3/8" x 34 1/2"	9  23 3/8" x 34 1/2"	10  22 15/16" x 11"
Drawer bottom	Back board	Left Side Panel	Right Side Panel	Bottom
15  11 13/16" x 10 1/4"	16  11 1/2" x 4 1/2"			
Shelf	Face TK			

Assembly instructions

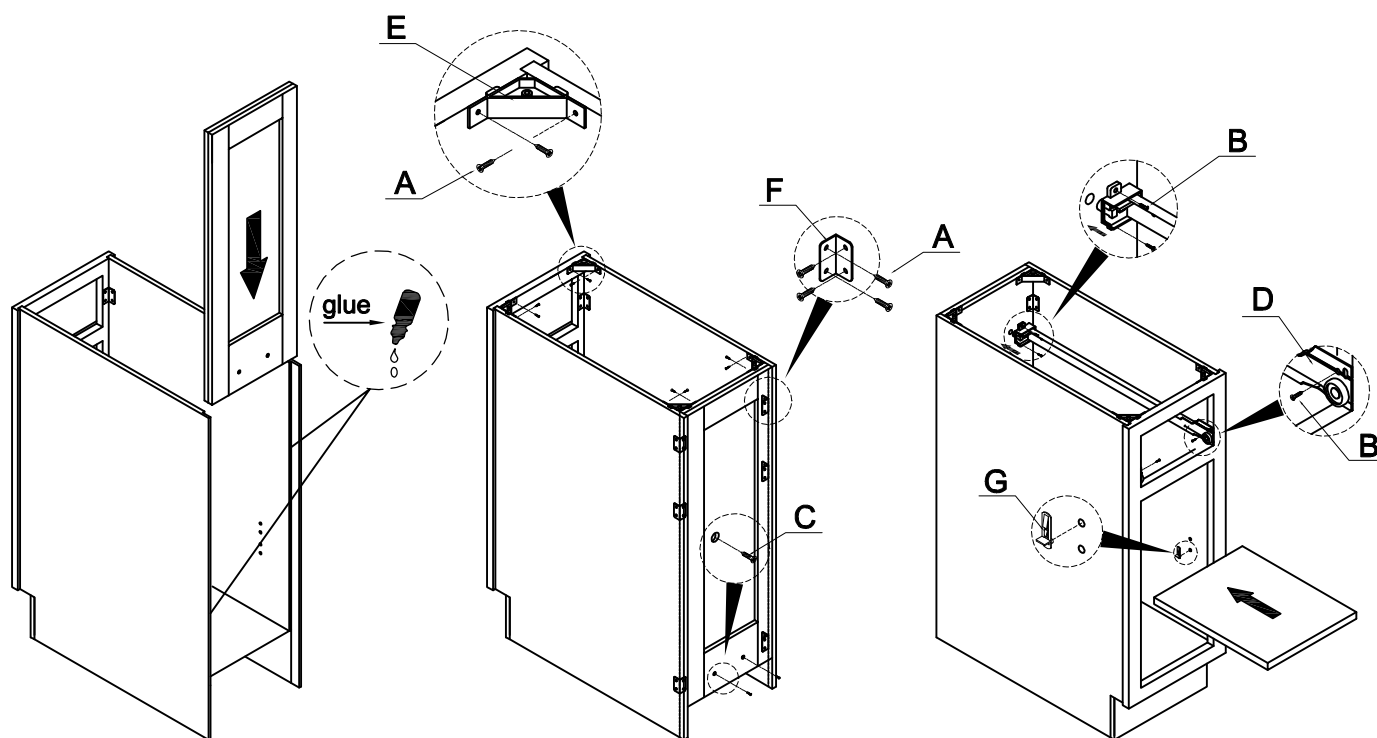
NO.	PICTURE	SIZE	QTY	NO.	PICTURE	SIZE	QTY
A		Screws Ø3*1/2"	56	F		Metal Clip	12
B		Screws Ø4*5/8"	12	G		Shelf Clip	4
C		Screws Ø4*1"	2	H		Hinges	2
D		Drawer Glides	1	I		Screws Ø4*3/4"	2
E		Corner Brackets	4	J		Screws Ø4*5/8"	4



step 1

step 2

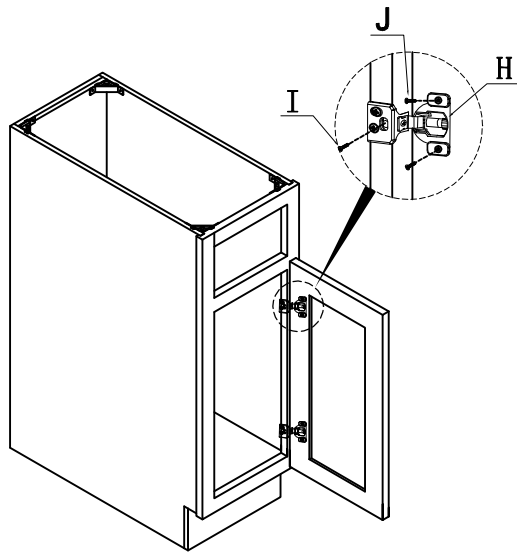
step 3



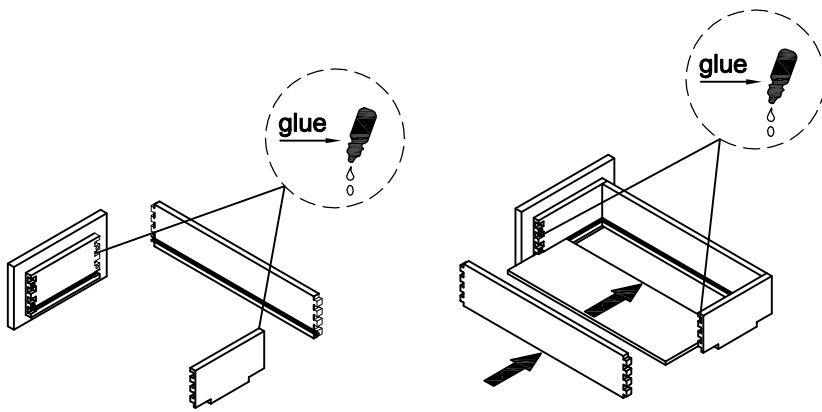
step 4

step 5

step 6

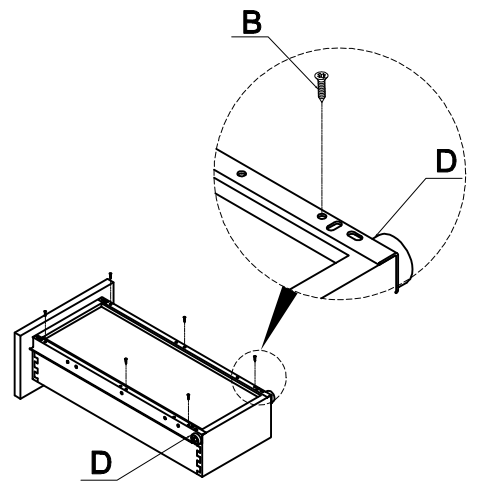


step 7

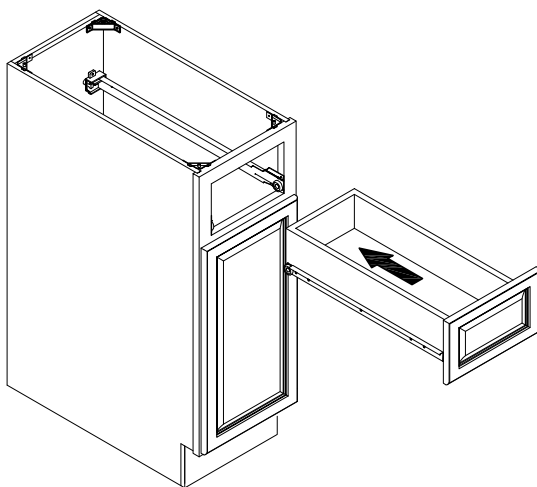


step 8

step 9



step 10



step 11

