


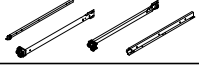


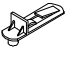
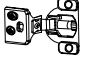


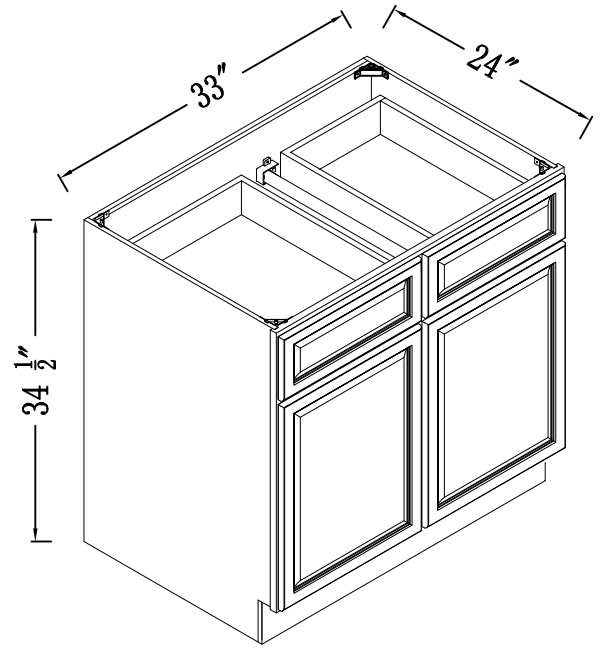


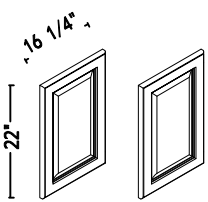
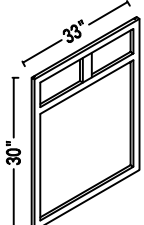
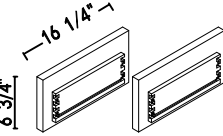
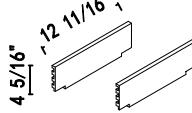
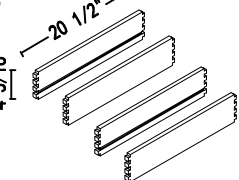
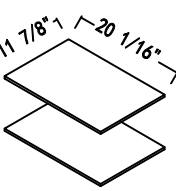
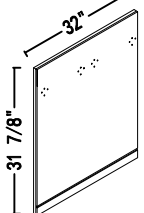
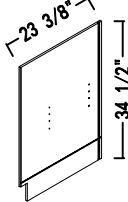
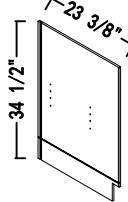
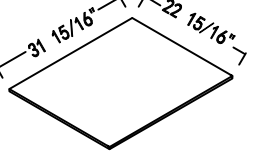
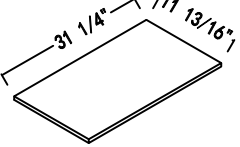
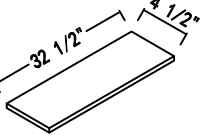
PART LIST

NO.	Picture	Specification	Qty
A		Screws $\text{Ø}3 \times 1/2$ "	56
B		Screws $\text{Ø}4 \times 5/8$ "	24
C		Screws $\text{Ø}4 \times 1$ "	3
D		Drawer Glides	2
E		Corner Brackets	4
F		Metal Clip	12
G		Shelf Clips	4
H		Hinges	4
I		Screws $\text{Ø}4 \times 3/4$ "	4
J		Screws $\text{Ø}4 \times 5/8$ "	8













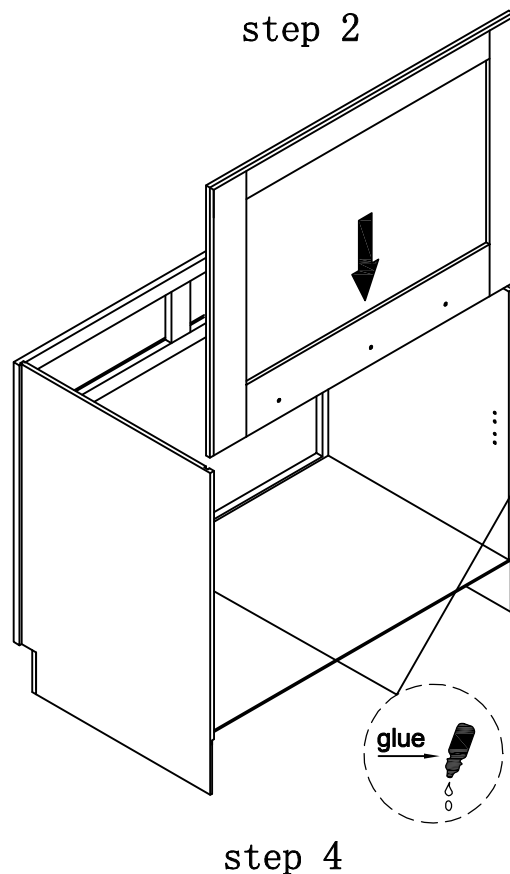
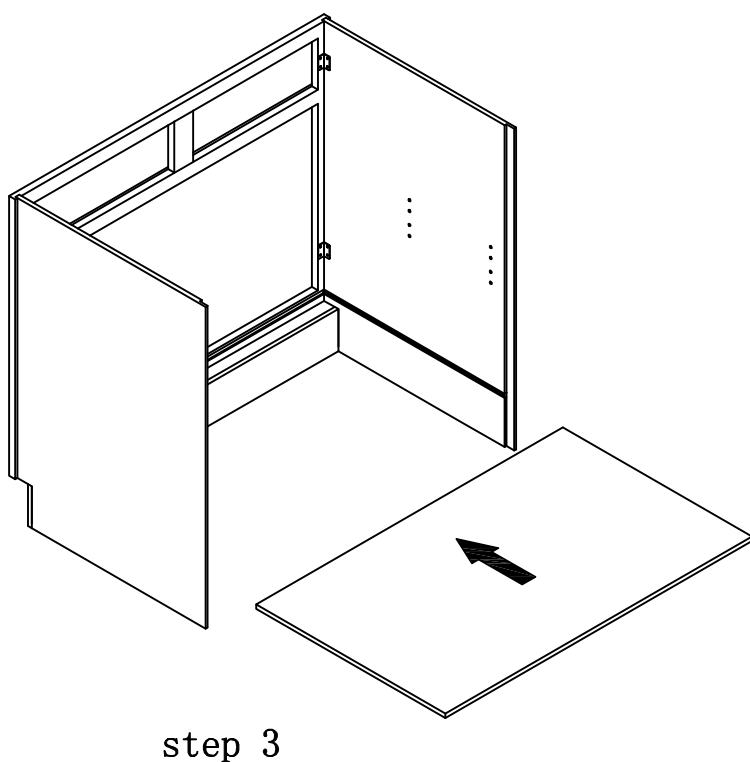
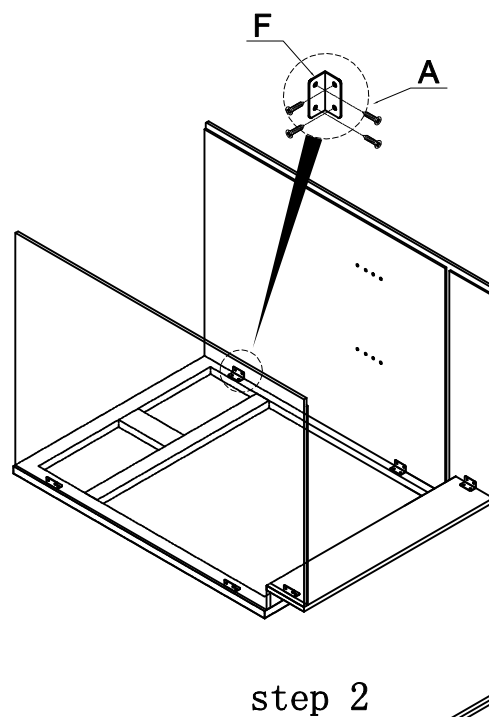
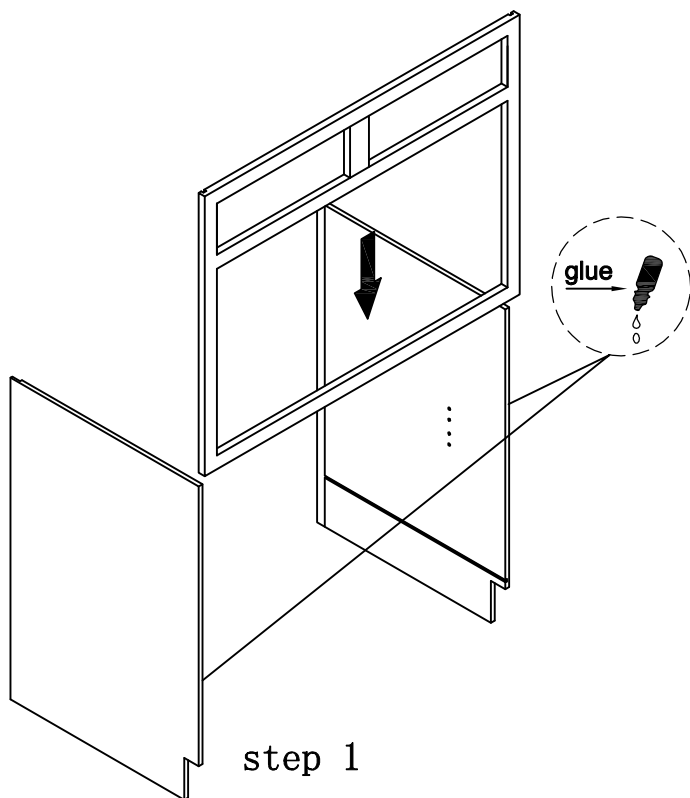
B33

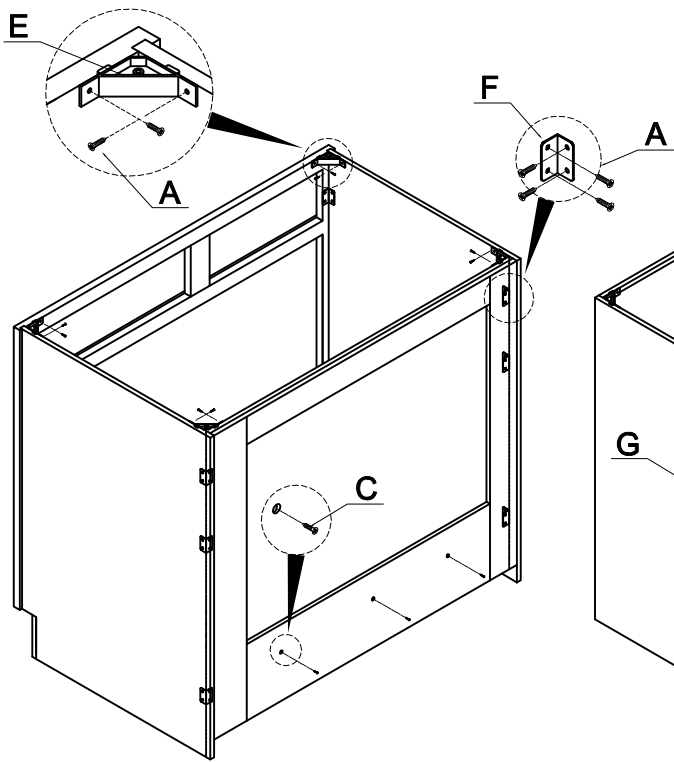
Unit: inch

<p>1</p>  <p>Door</p>	<p>2</p>  <p>Face frame</p>	<p>3</p>  <p>Drawer face</p>	<p>4</p>  <p>Drawer back</p>	<p>5</p>  <p>Drawer Side</p>
<p>6</p>  <p>Drawer bottom</p>	<p>7</p>  <p>Back board</p>	<p>8</p>  <p>Left Side Panel</p>	<p>9</p>  <p>Right Side Panel</p>	<p>10</p>  <p>Bottom</p>
<p>15</p>  <p>Shelf</p>	<p>16</p>  <p>Face TK</p>			

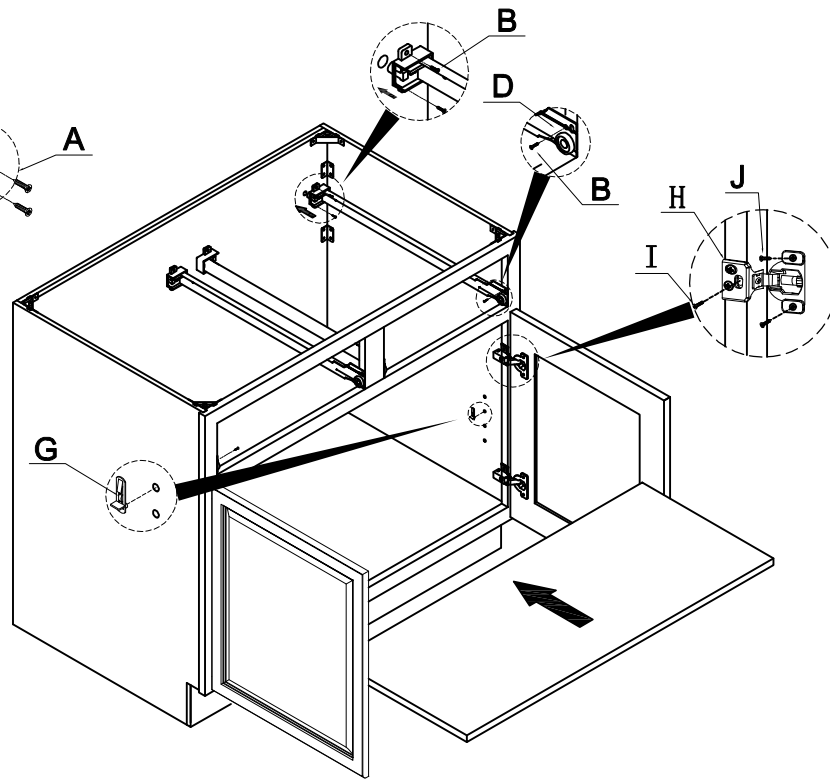
Assembly instructions

NO.	PICTURE	SIZE	QTY	NO.	PICTURE	SIZE	QTY
A		Screws $\text{\O}3 \times 1/2''$	56	F		Metal Clip	12
B		Screws $\text{\O}4 \times 5/8''$	24	G		Shelf Clip	4
C		Screws $\text{\O}4 \times 1''$	3	H		Hinges	4
D		Drawer Glides	2	I		Screws $\text{\O}4 \times 3/4''$	4
E		Corner Brackets	4	J		Screws $\text{\O}4 \times 5/8''$	8

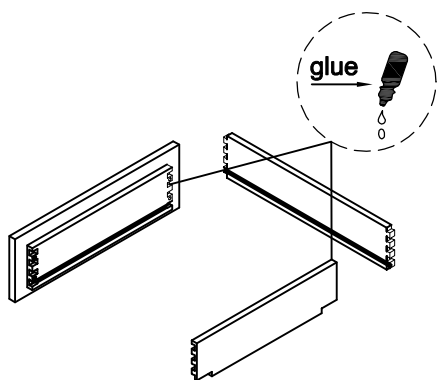




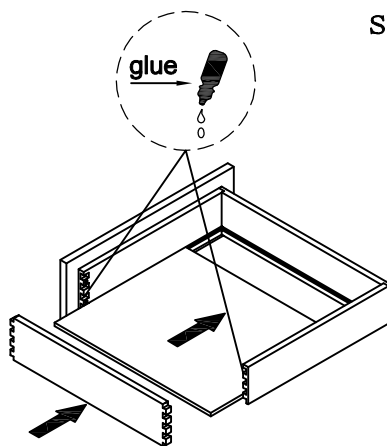
step 5



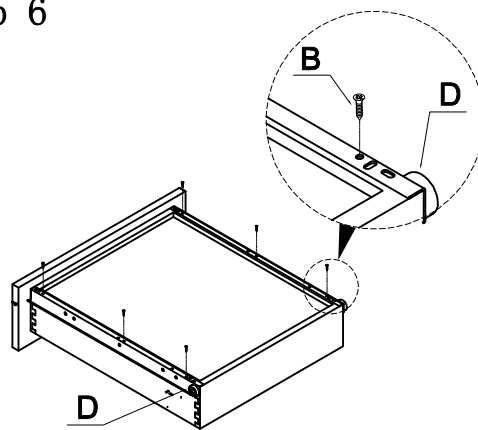
step 6



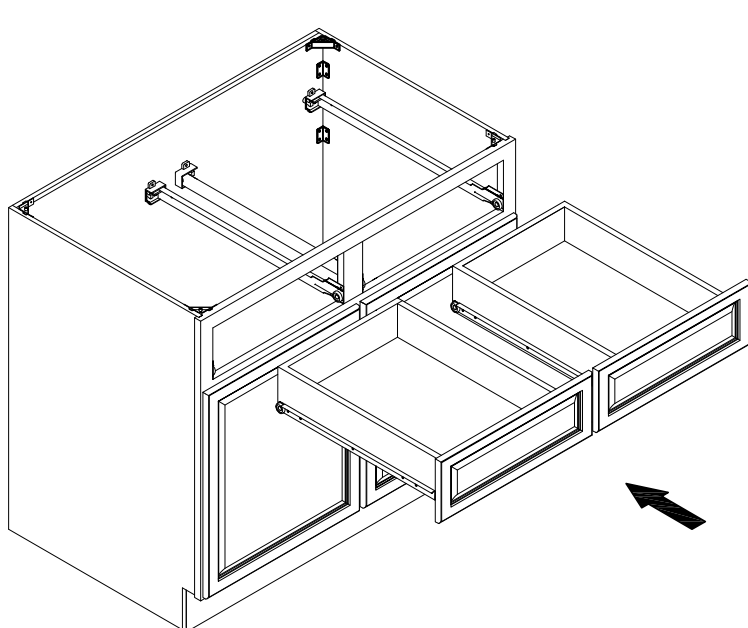
step 7



step 8



step 9



step 10

