



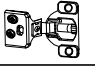


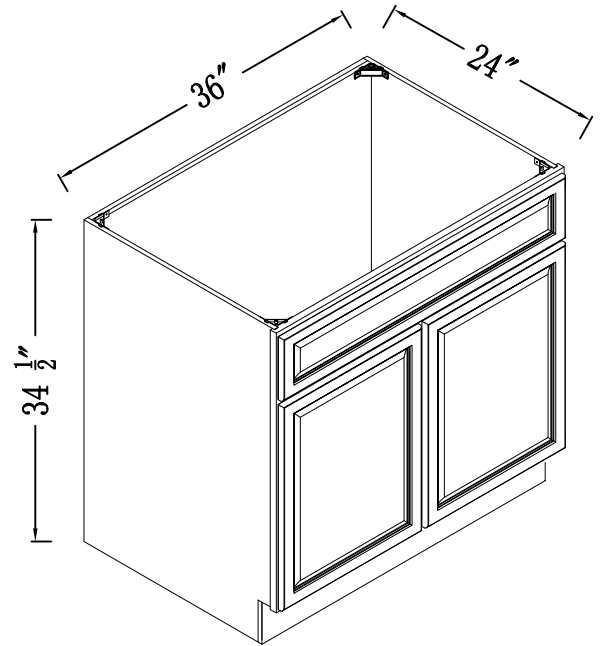


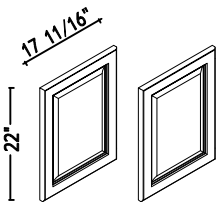
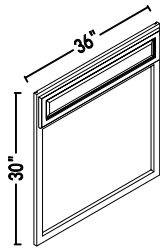
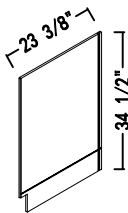
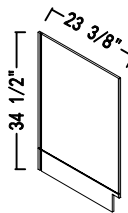
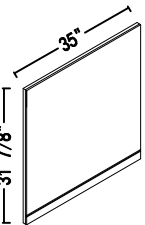
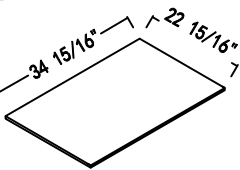
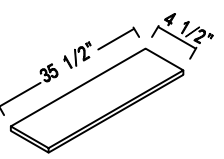
# PART LIST

NO.	Picture	Specification	Qty
A		Screws $\text{Ø}3 \times 1\frac{1}{2}$ "	48
B		Screws $\text{Ø}4 \times 1$ "	3
C		Corner Brackets	4
D		Metal Clip	10
E		Hinges	4
F		Screws $\text{Ø}4 \times 3\frac{1}{4}$ "	4
G		Screws $\text{Ø}4 \times 5\frac{1}{8}$ "	8










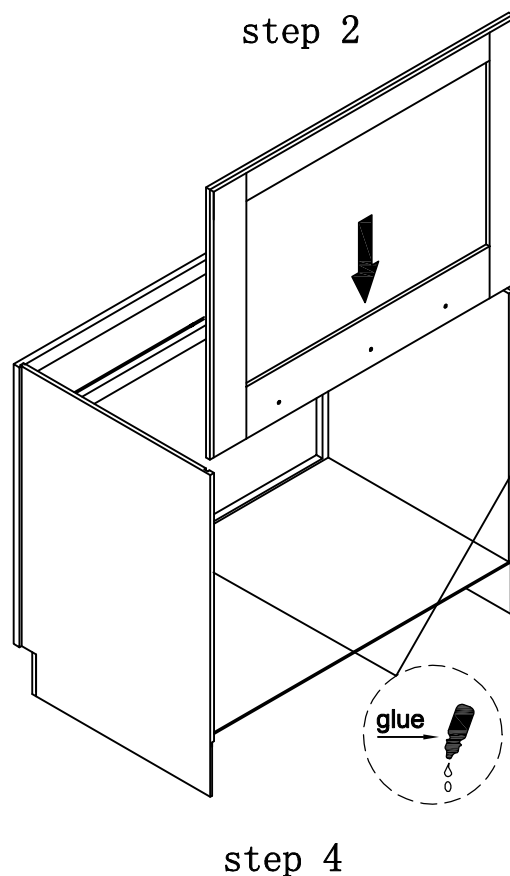
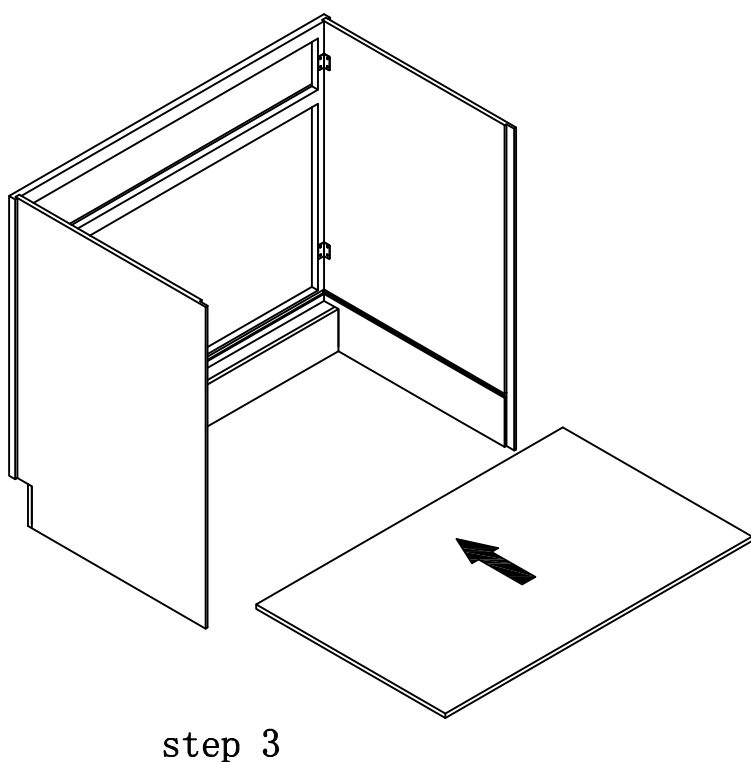
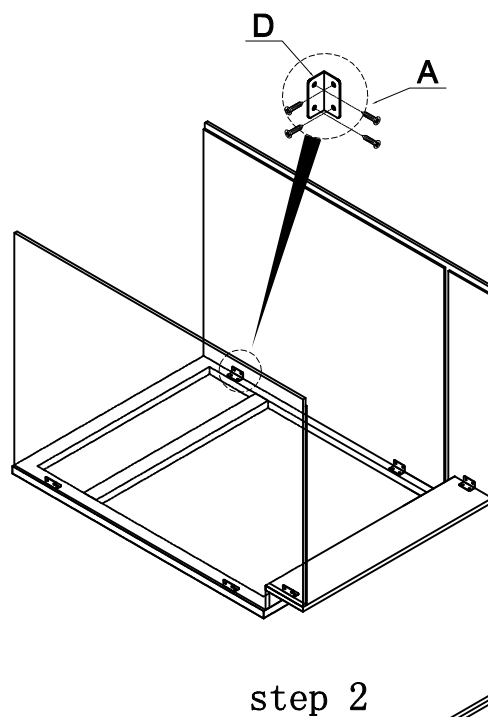
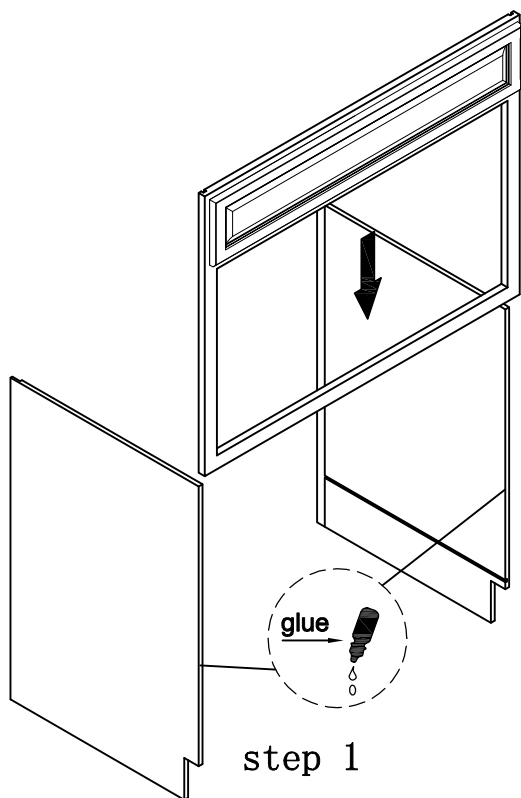
SB36

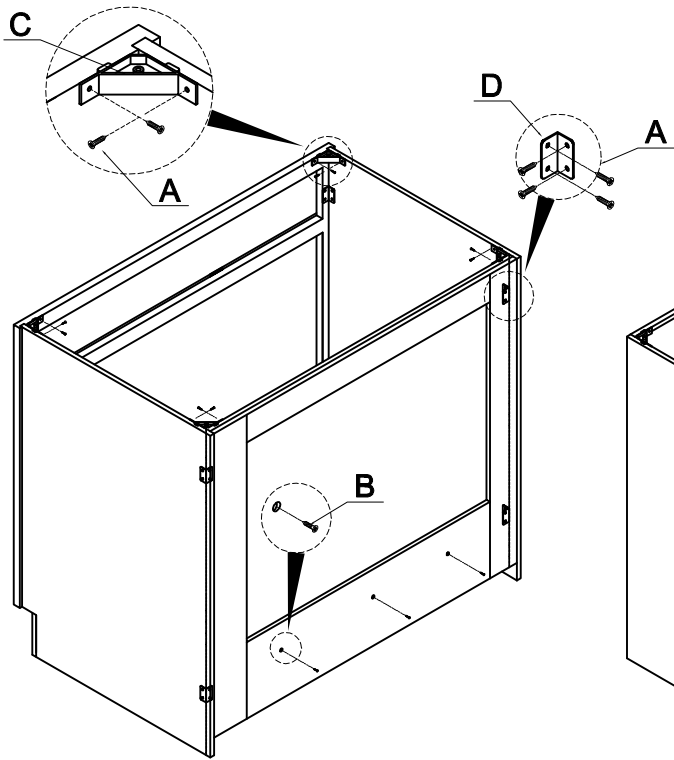
Unit:inch

<p>1</p>  <p>Door</p>	<p>2</p>  <p>Face frame</p>	<p>3</p>  <p>Left Side Panel</p>	<p>4</p>  <p>Right Side Panel</p>	<p>5</p>  <p>Back board</p>
<p>6</p>  <p>Bottom</p>	<p>7</p>  <p>Face TK</p>			

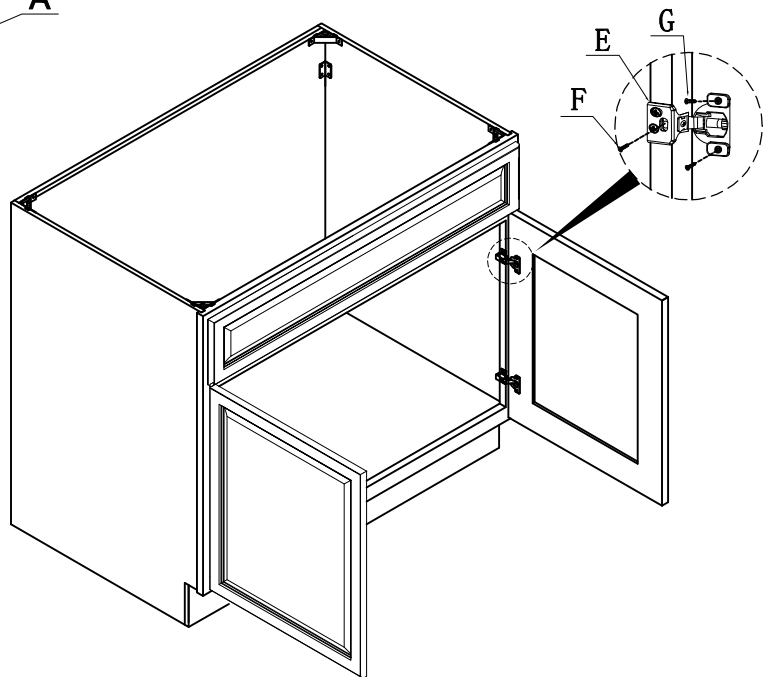
# Assembly instructions

NO.	PICTURE	SIZE	QTY	NO.	PICTURE	SIZE	QTY
A		Screws $\text{Ø}3 \times 1/2''$	48	E		Hinges	4
B		Screws $\text{Ø}4 \times 1''$	3	F		Screws $\text{Ø}4 \times 3/4''$	4
C		Corner Brackets	4	G		Screws $\text{Ø}4 \times 5/8''$	8
D		Metal Clip	10				





step 5



step 6

