



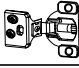


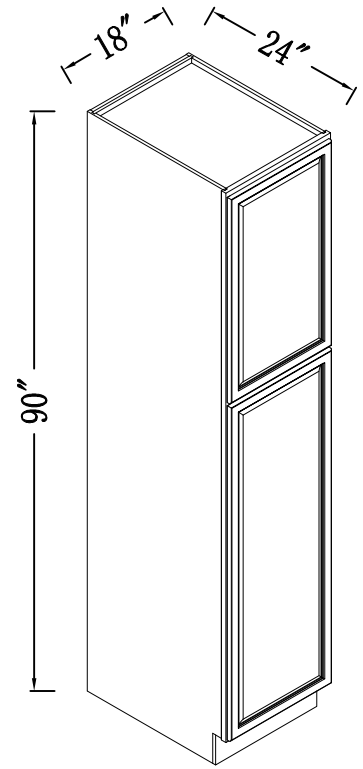


PART LIST

NO.	Picture	Specification	Qty
A		Screws $\text{Ø}3*1/2''$	72
B		Screws $\text{Ø}4*1''$	6
C		Metal Clip	18
D		Shelf Clips	16
E		Hinges	5
F		Screws $\text{Ø}4*3/4''$	5
G		Screws $\text{Ø}4*5/8''$	10










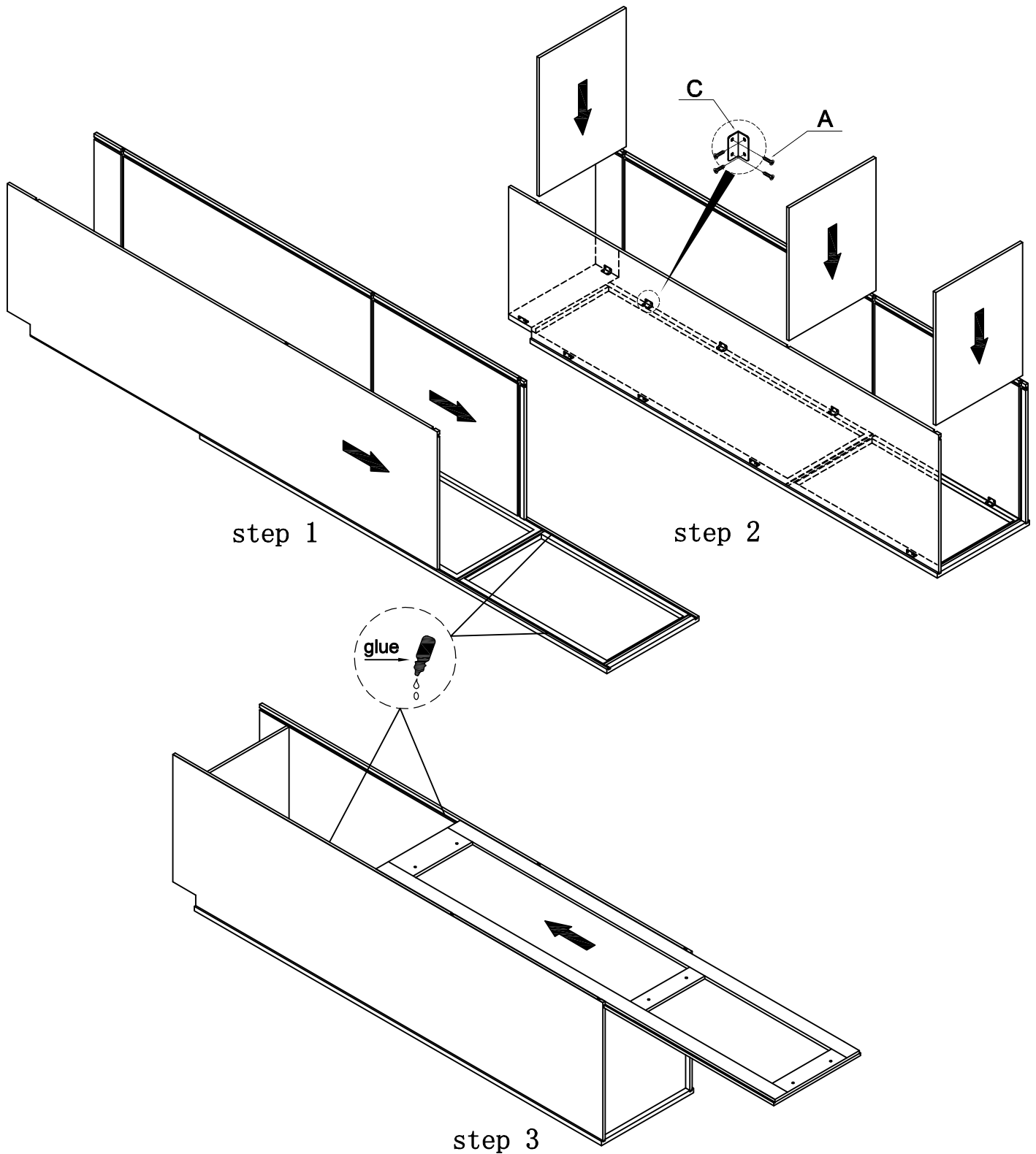
U189024

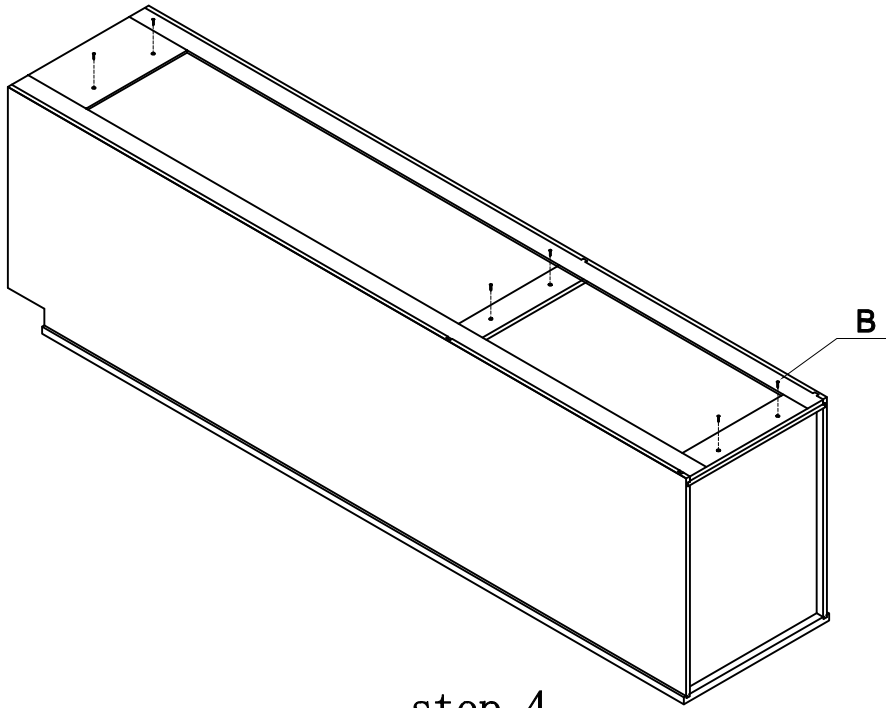
Unit:inch

<p>1</p> <p>Top Door</p>	<p>2</p> <p>Bottom Door</p>	<p>3</p> <p>Face frame</p>	<p>4</p> <p>Back board</p>	<p>5</p> <p>Left Side Panel</p>
<p>6</p> <p>Right Side Panel</p>	<p>7</p> <p>Top Panel</p>	<p>8</p> <p>Middle Bottom Panel</p>	<p>9</p> <p>Bottom</p>	<p>10</p> <p>Shelf</p>
<p>11</p> <p>Face TK</p>				

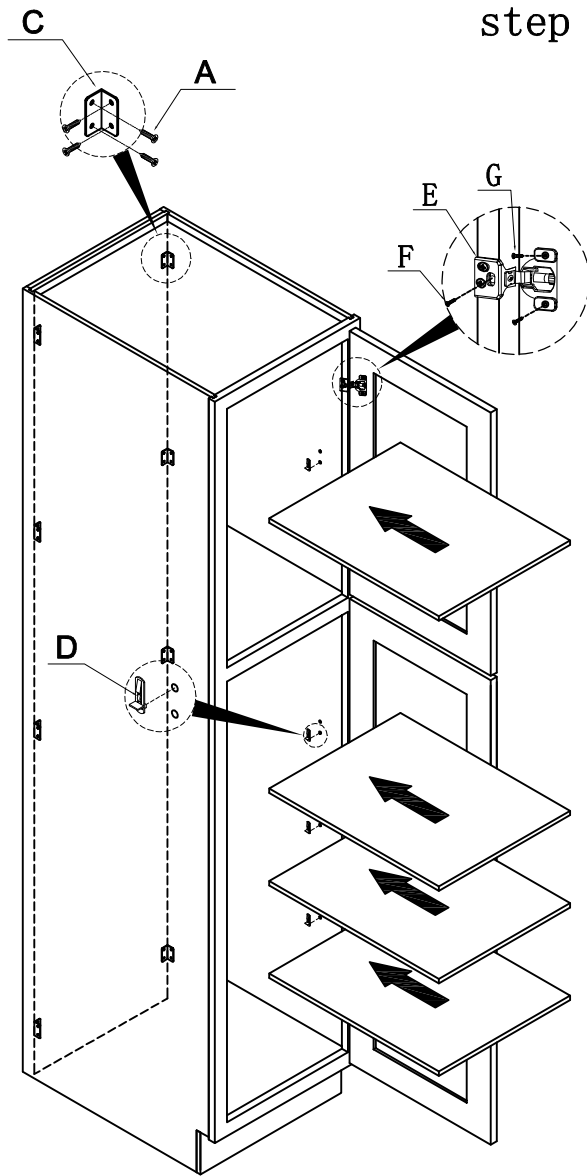
Assembly instructions

NO.	PICTURE	SIZE	QTY	NO.	PICTURE	SIZE	QTY
A		Screws $\text{\O}3 \times 1\frac{1}{2}$ "	72	E		Hinges	5
B		Screws $\text{\O}4 \times 1$ "	6	F		Screws $\text{\O}4 \times 3\frac{1}{4}$ "	5
C		Metal Clip	18	G		Screws $\text{\O}4 \times 5\frac{1}{8}$ "	10
D		Shelf Clip	16				

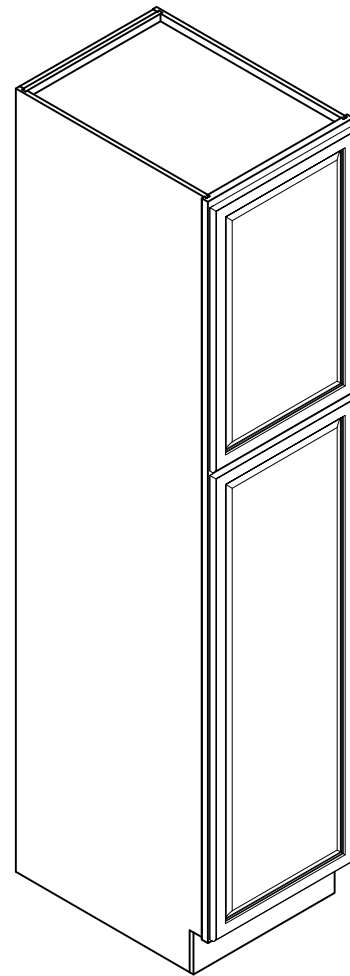




step 4



step 5



step 6