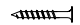
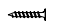
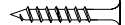



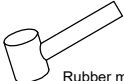


Trash Can Assembly Instruction (Item:TCCK)

	1	4PCS	4x16mm	2	6PCS	3.5x12mm	3	6PCS	4x25mm	4	2PCS	5	4PCS														
Hard Ware List	Flat head screw			Round head screw			Flat head screw			Glide connector			connector														
																											
Assembly Tools Required	 Screw driver			 Rubber mallet																							
Cabinet Parts List	A	Frame			B	Side panels(2)			C	Bottom panel			D	Back panel			E	Front panel			F	G			H		
1																											
2																											
3																											
4																											
5																											
6																											
7																											
8																											