






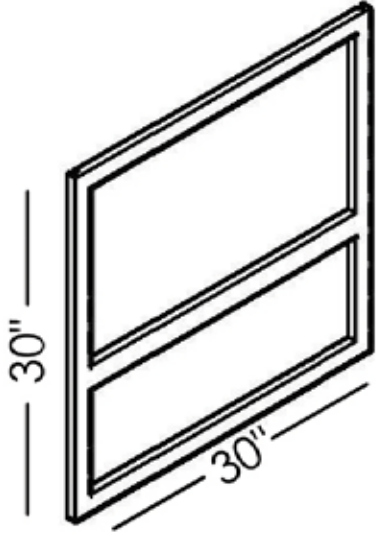
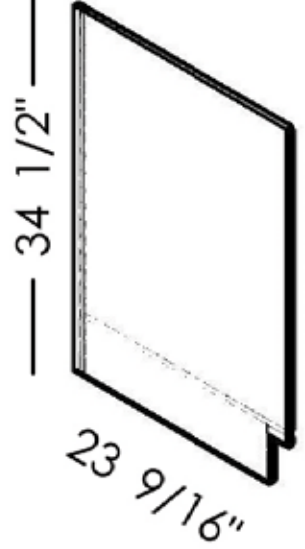
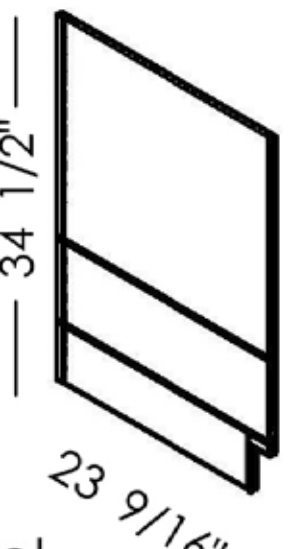
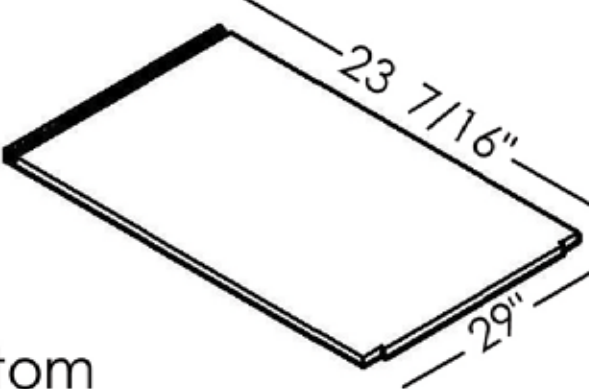
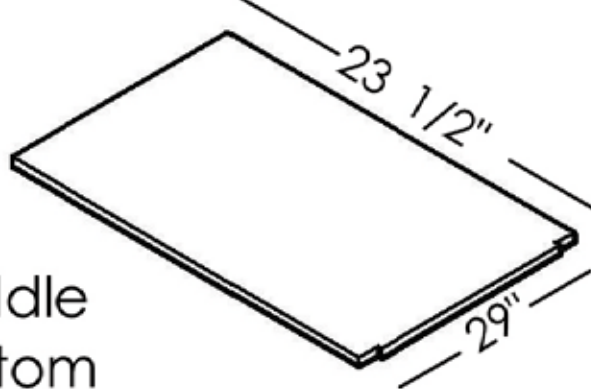
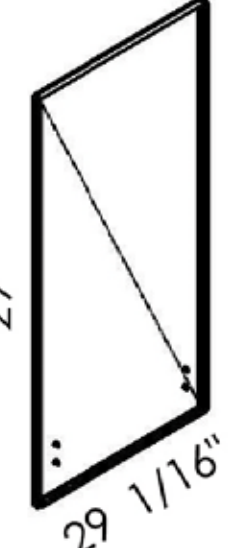
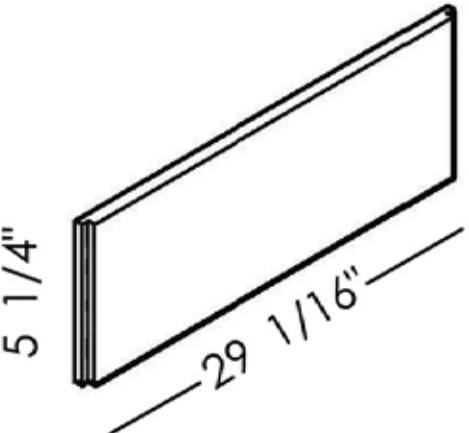
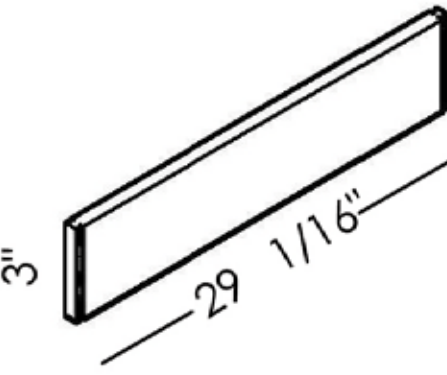
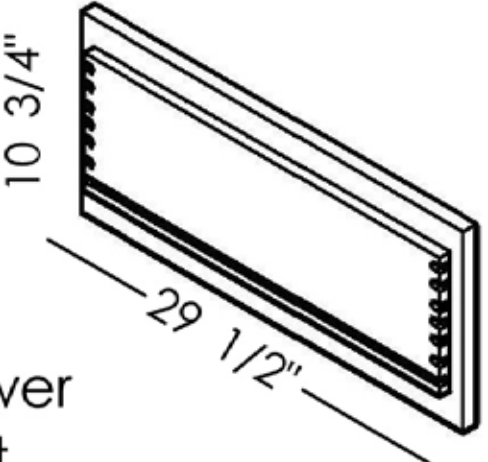
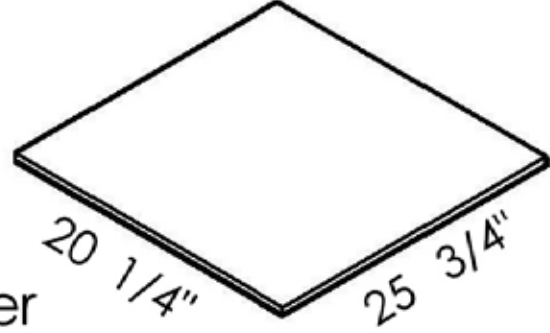
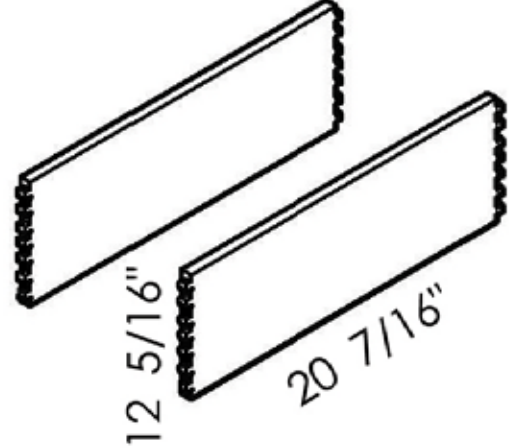
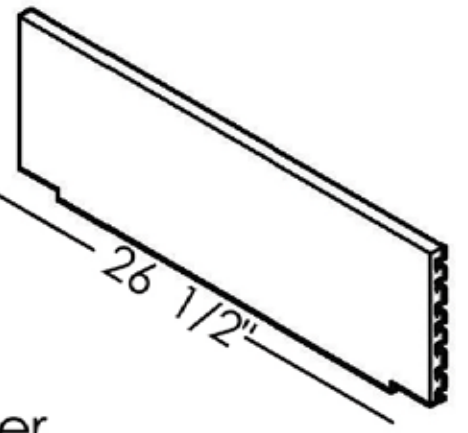


Part List








No	Picture	Specification	Qty
A		Screw $\varnothing 3 \times 1/2$ "	42
B		L Bracket	2
C		Drawer Glides	2
D		Glide Connector	2
E		Corner Bracket	4
F		Metal Clip	4
G		Bumper	4

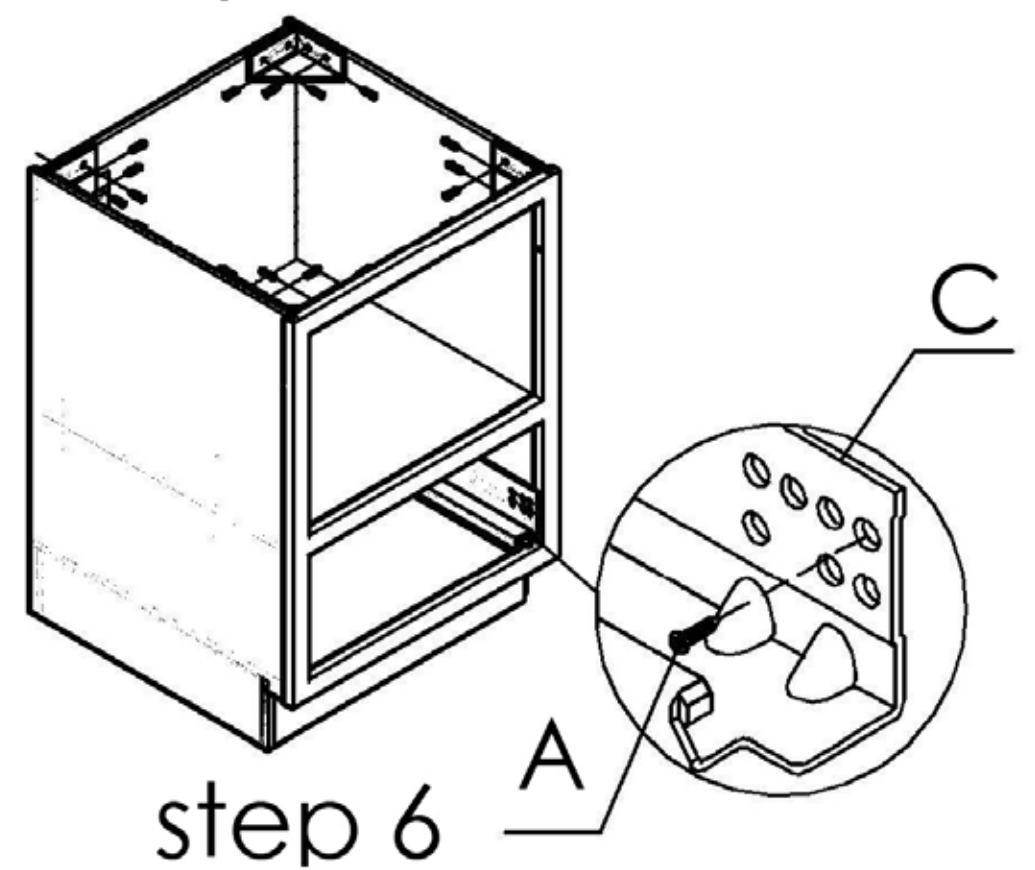
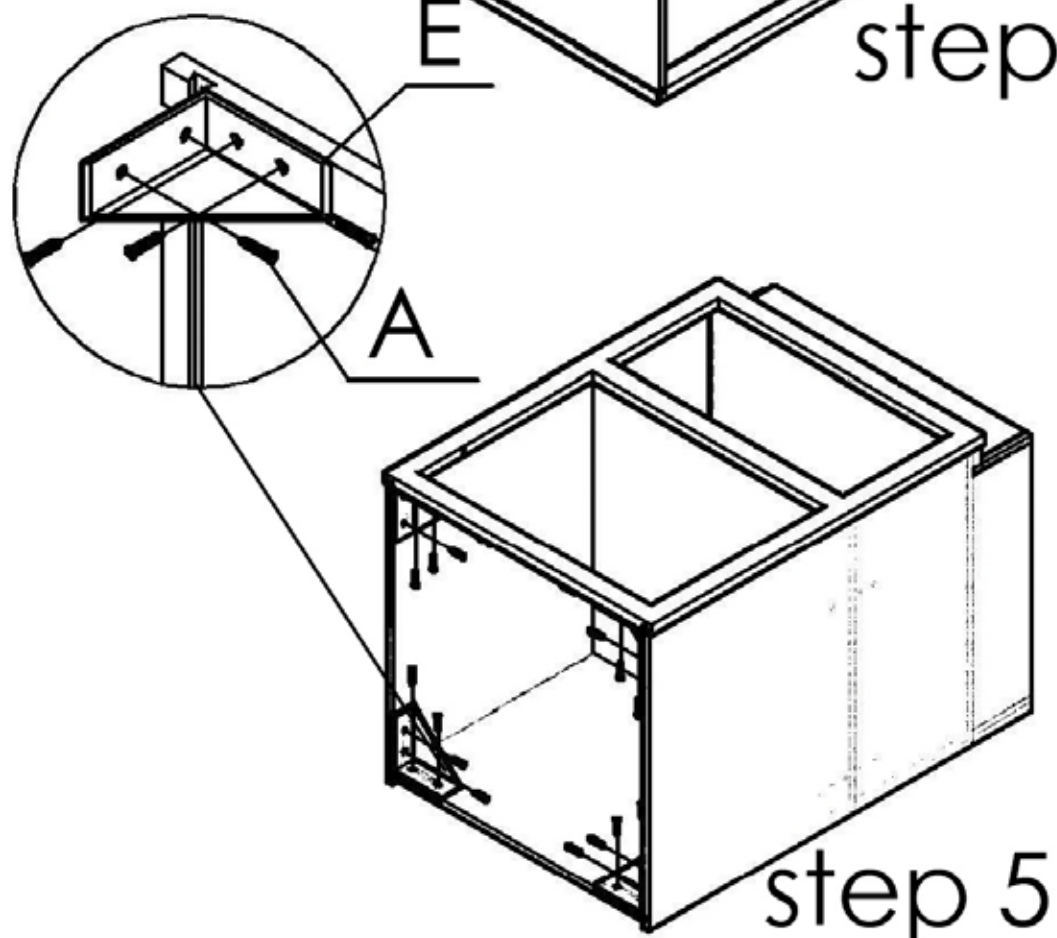
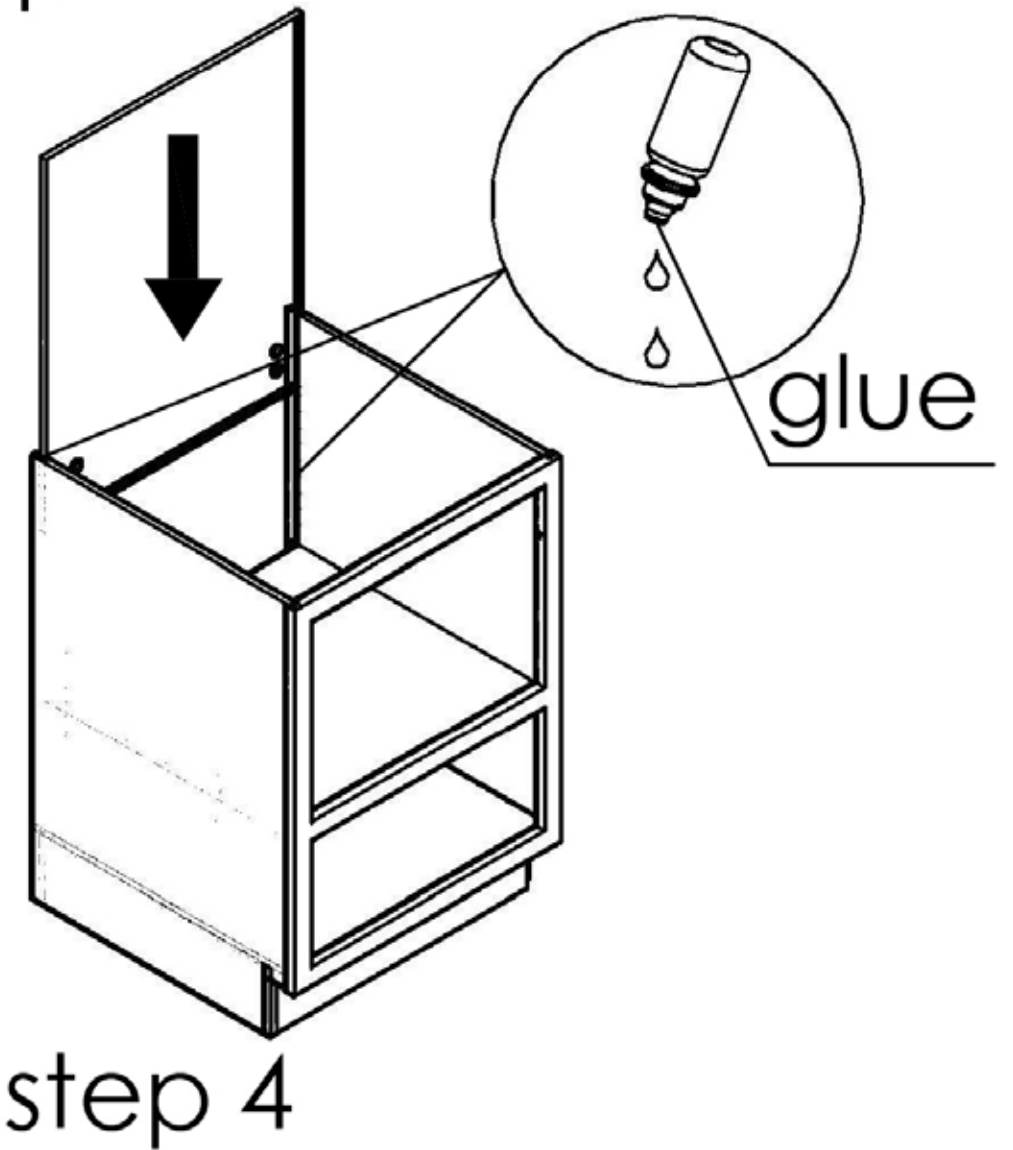
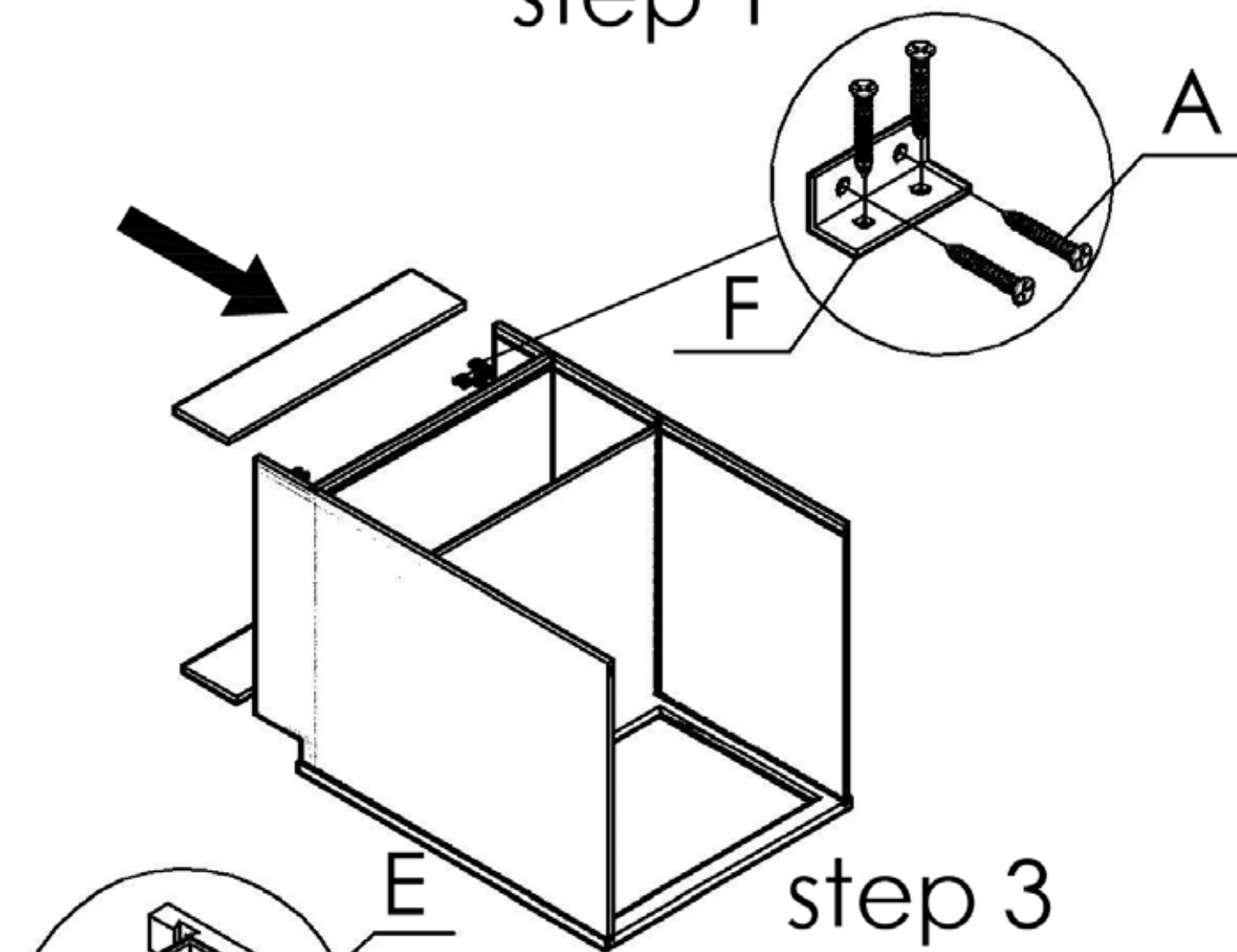
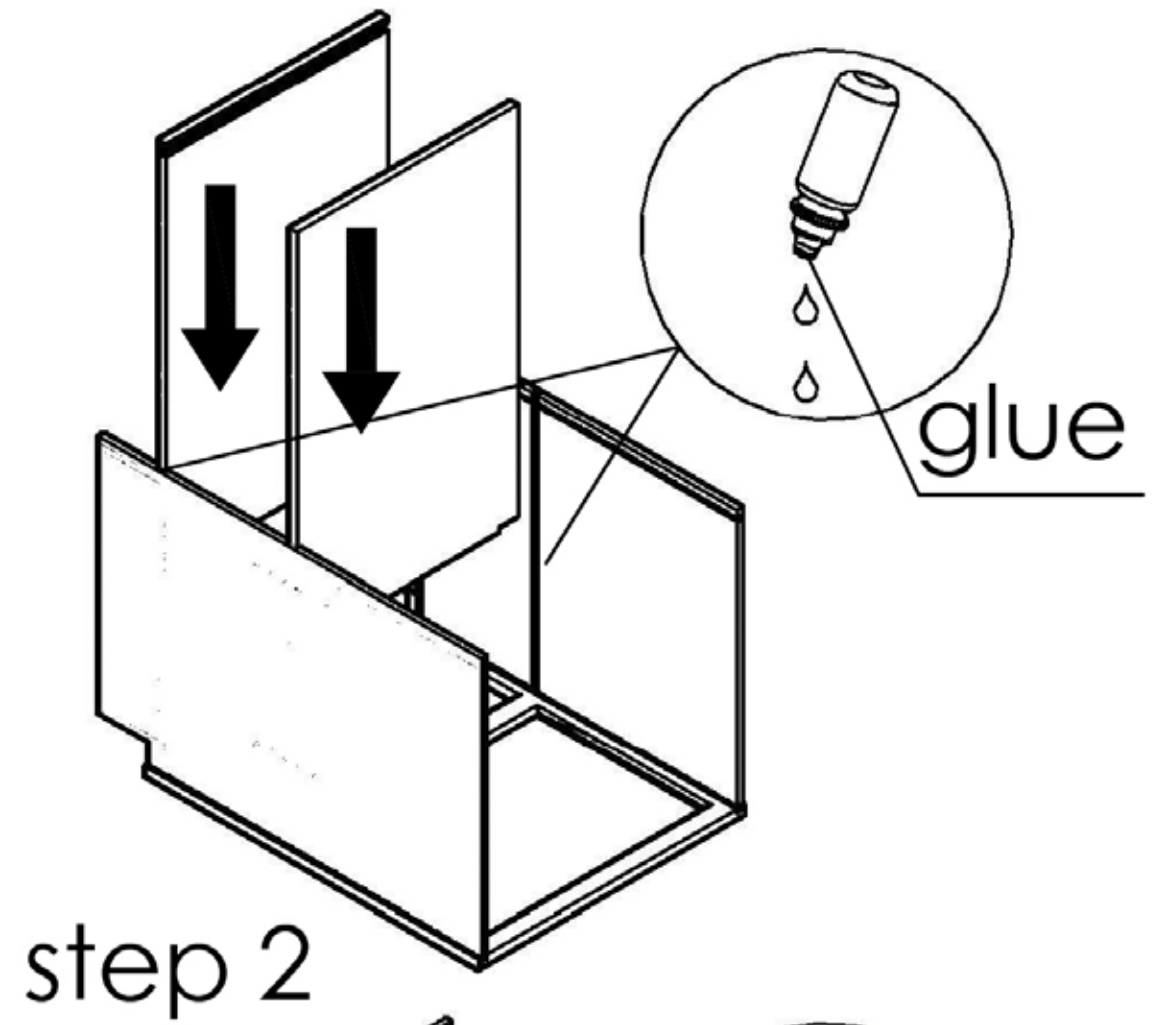
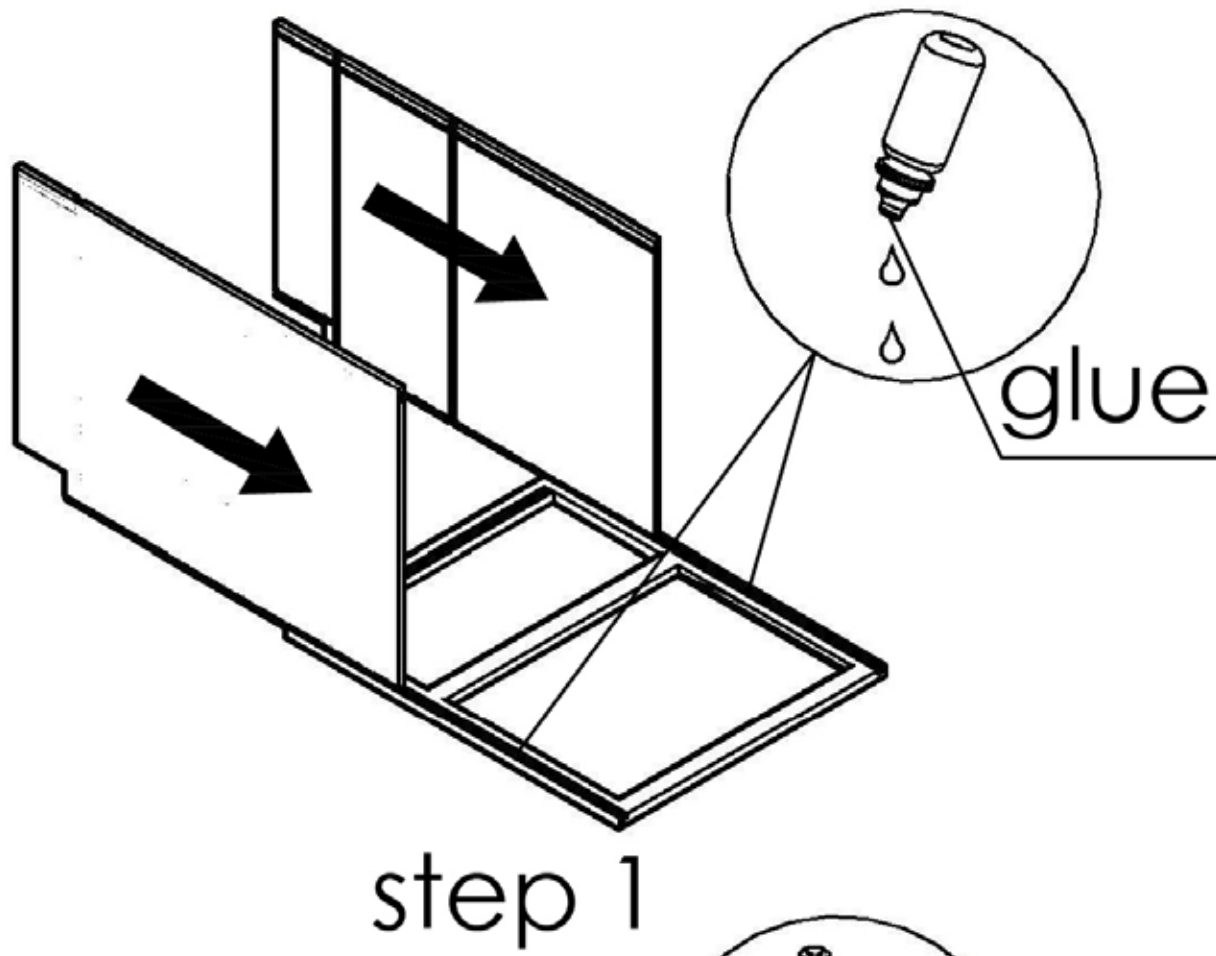
MB30

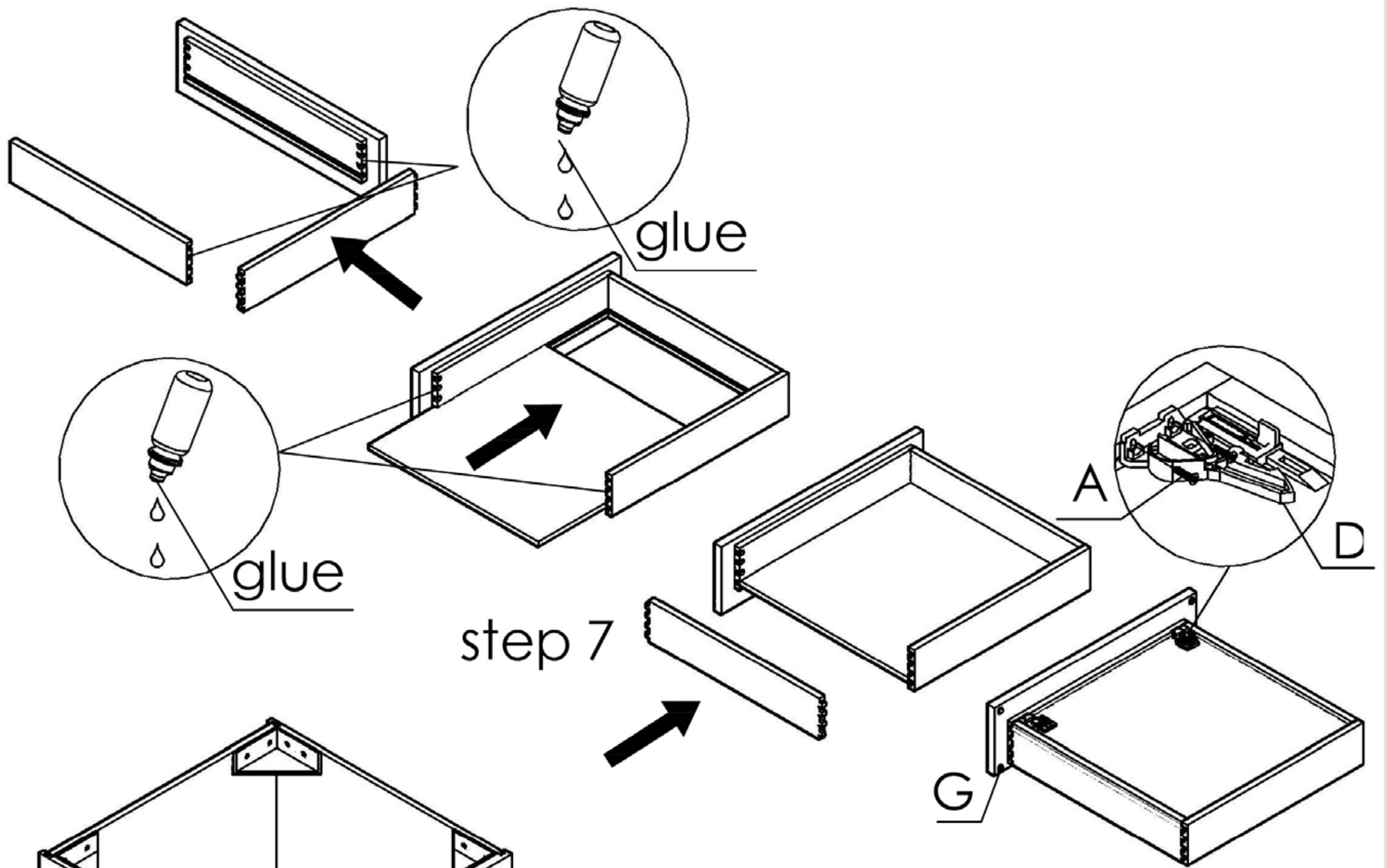
Unit: inch

1  Face Frame	2  Left Side Panel	3  Right Side Panel
4  Bottom Panel	5  Middle Bottom Panel	6  Back Panel
7  Front Toe kick	8  Back Toe kick	9  Drawer Front
12  Drawer Bottom	10  Drawer Sides	11  Drawer Back

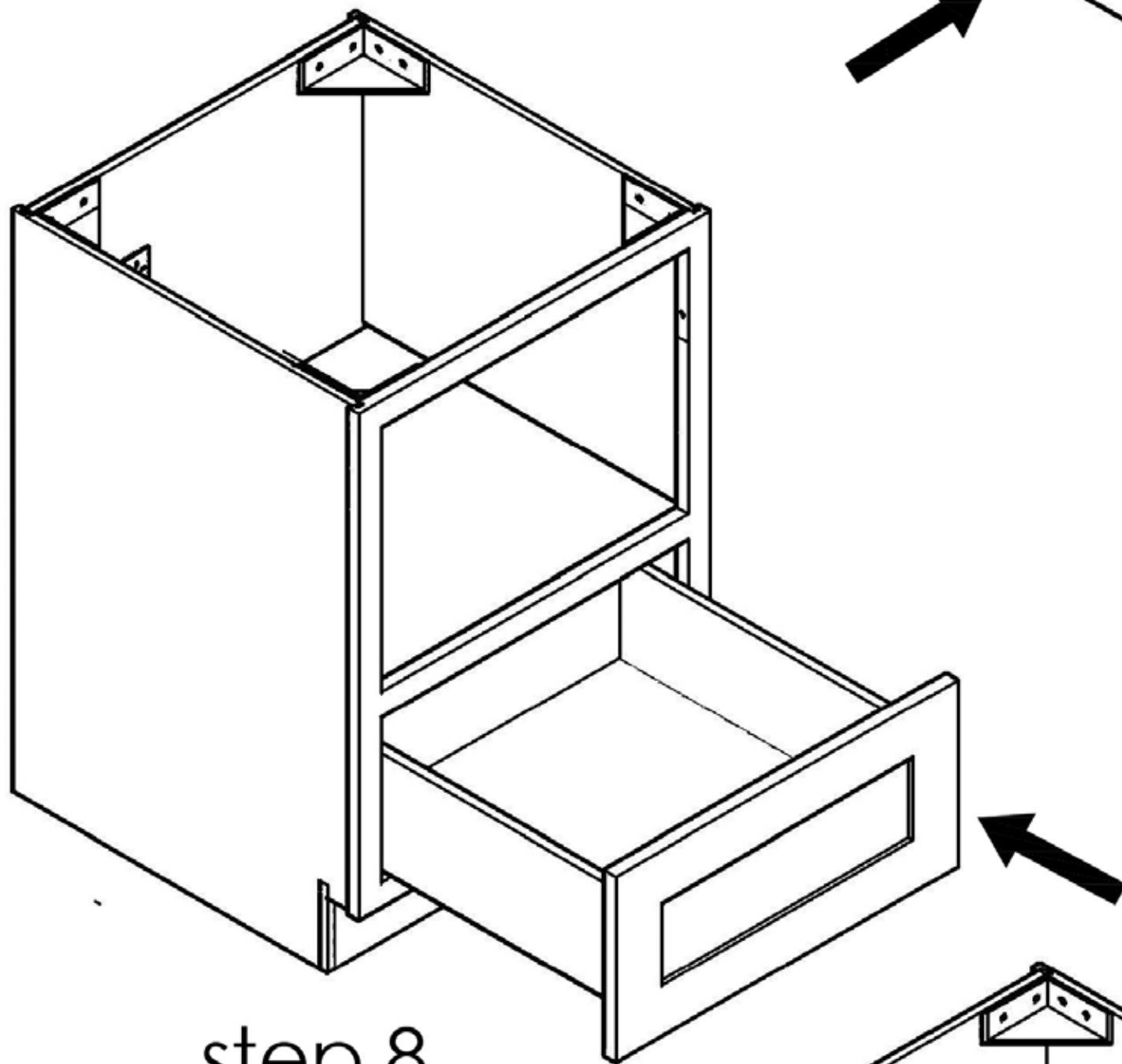
Assembly instructions

No	Picture	Specification	Qty	No	Picture	Specification	Qty
A		Screw $\varnothing 3 \times 1/2''$	42	E		Corner Bracket	4
B		L Bracket	2	F		Metal Clip	4
C		Drawer Glides	2	G		Bumper	4
D		Glide Connector	2				

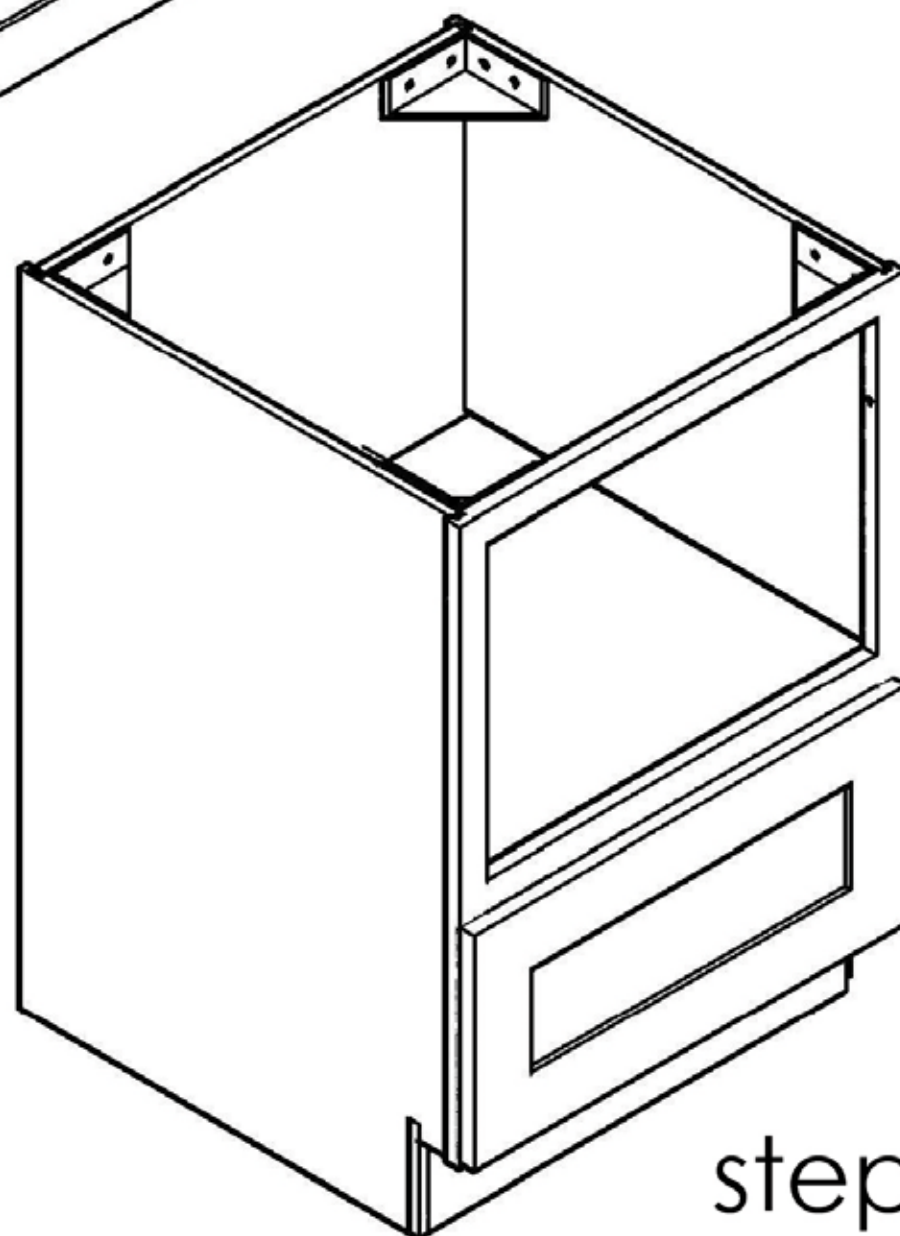




step 7



step 8



step 9