


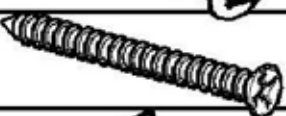




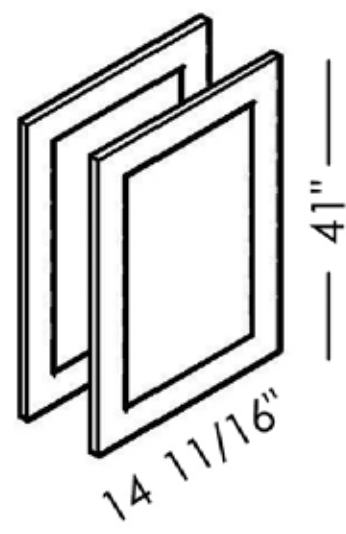
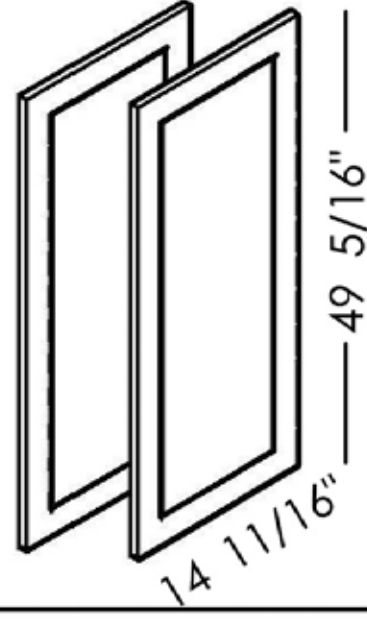

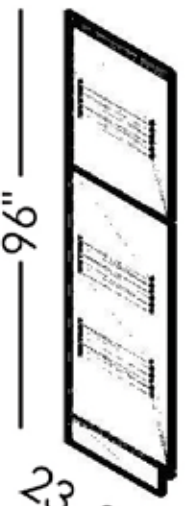

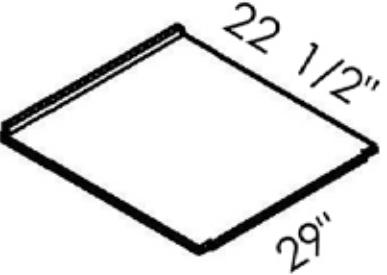
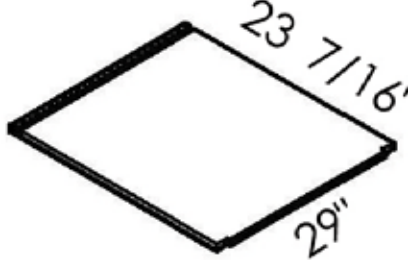
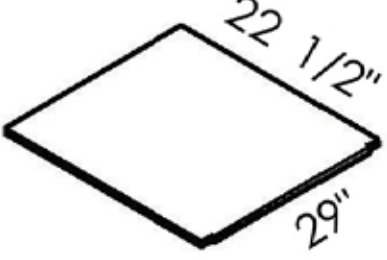
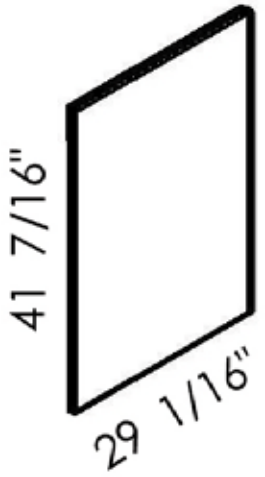
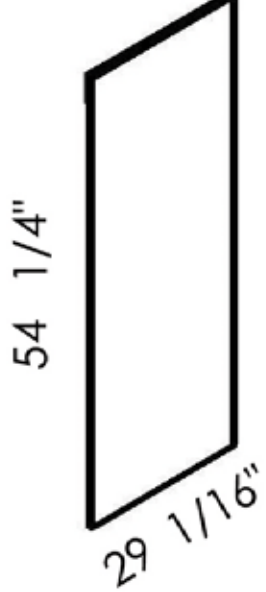
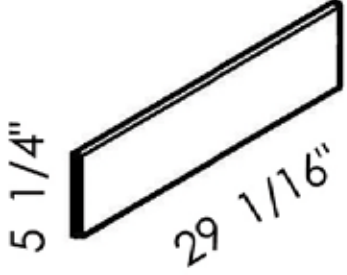
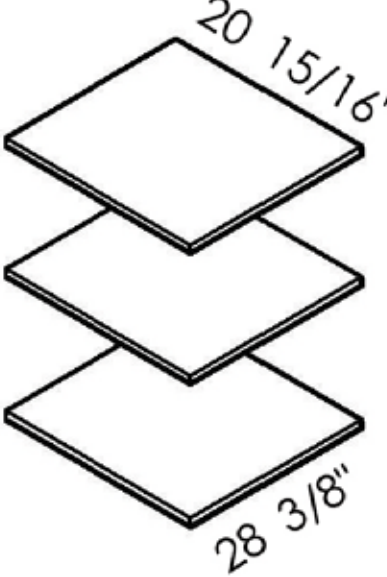
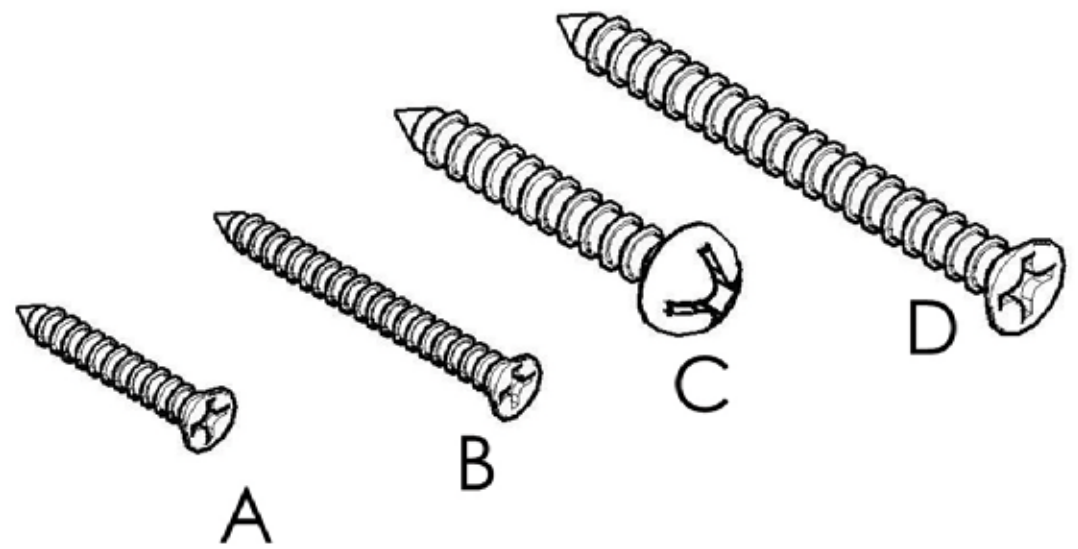


Part List









U309624

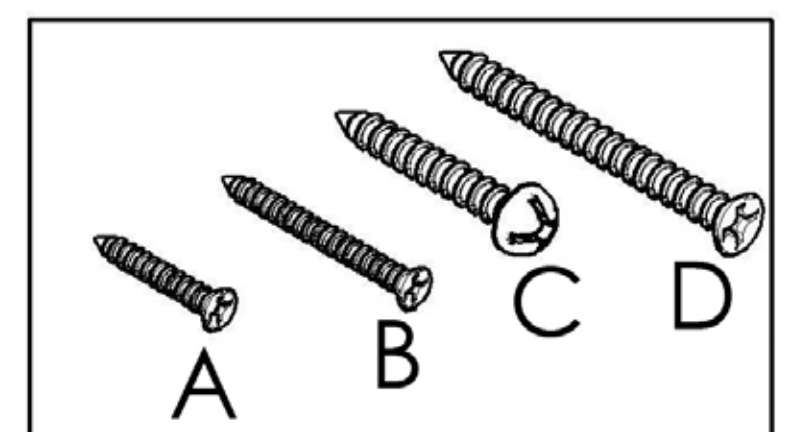
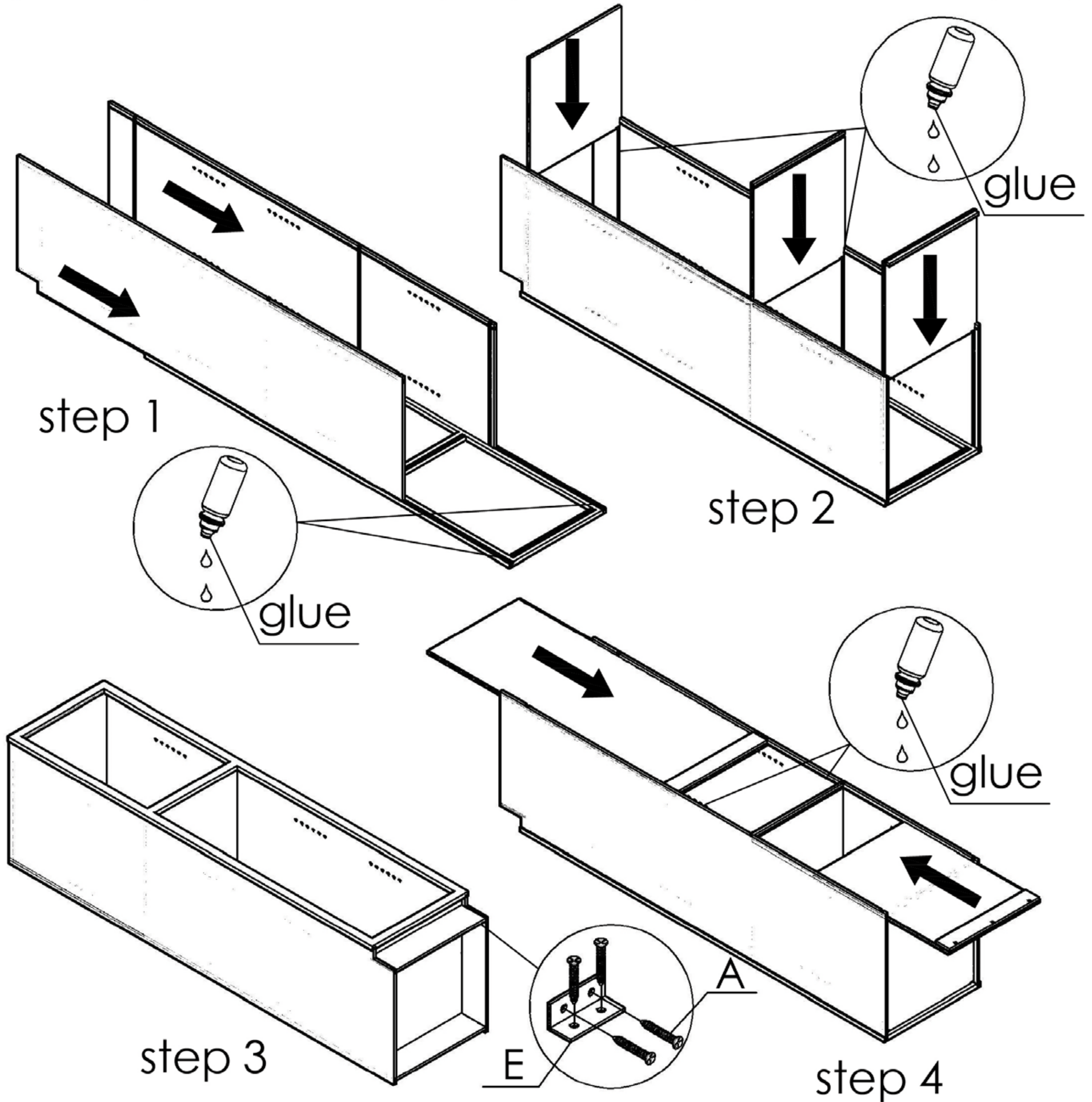
Unit: inch

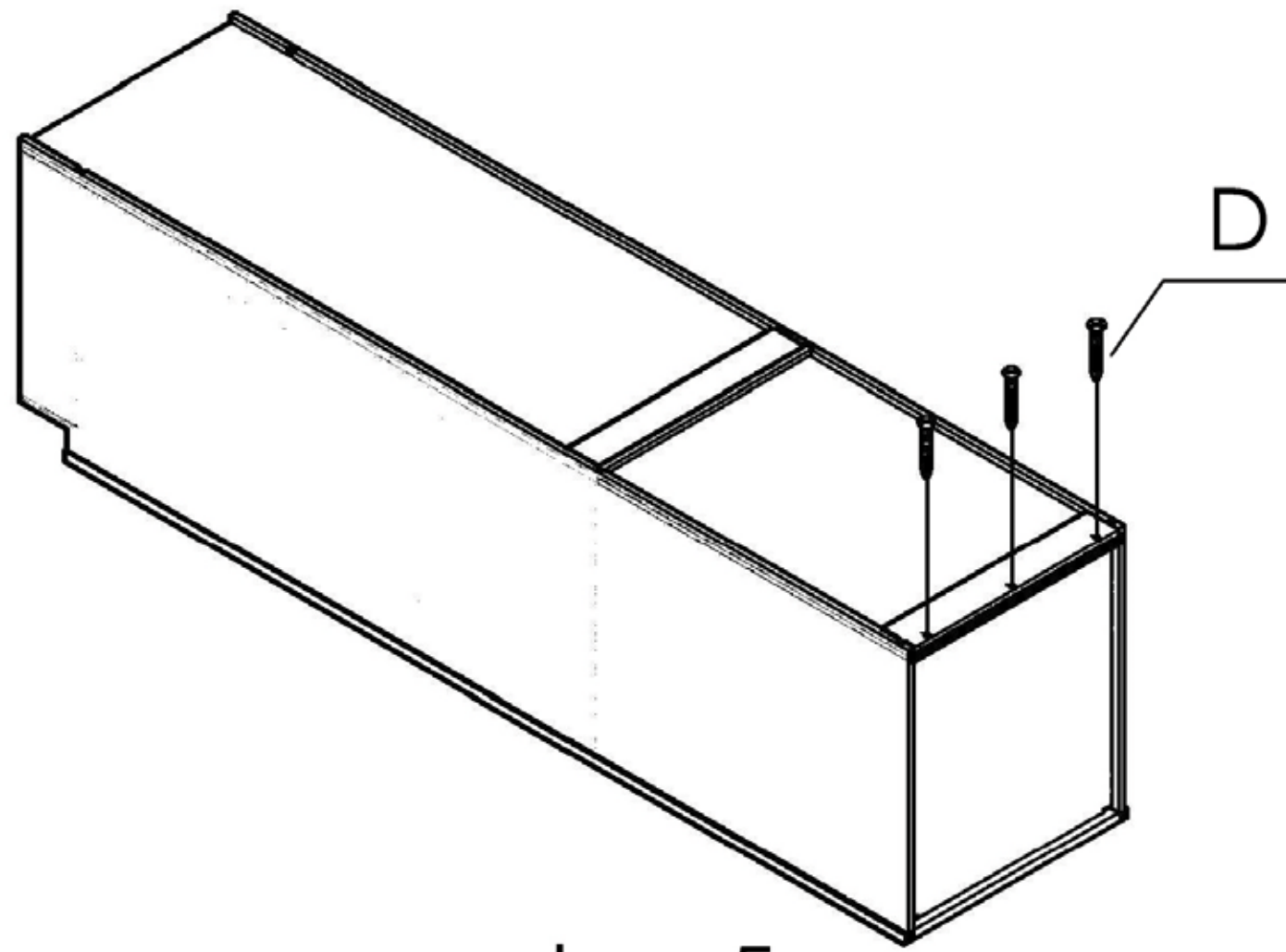
No	Picture	Specification	Qty
A		Screw $\text{Ø}3 \times 1/2$ "	32
B		Screw $\text{Ø}3 \times 5/8$ "	20
C		Screw $\text{Ø}4 \times 5/8$ "	10
D		Screw $\text{Ø}4 \times 1 \frac{3}{16}$ "	3
E		Metal Clip	4
F		Hinges	10
G		Bumper	8
H		Shelf Clip	12

1 Top Door 	2 Bottom Door 	3 Face Frame 
4 Left Side Panel 	5 Right Side Panel 	6 Top Panel 
7 Middle Bottom Panel 	8 Bottom Panel 	9 Top Back Panel 
		10 Bottom Back Panel 
		11 Front Toe kick 
Shelf 		

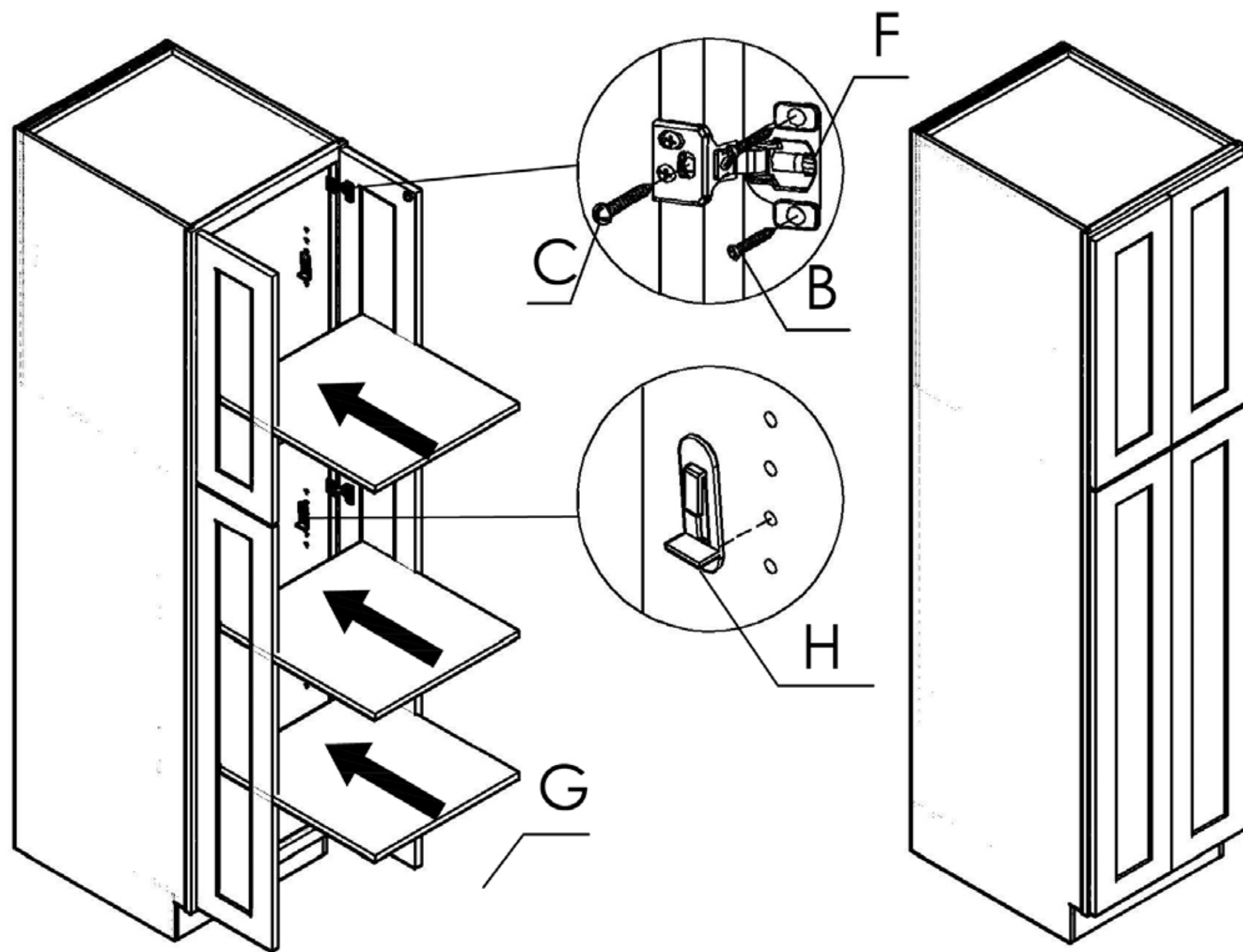
Assembly instructions

No	Picture	Specification	Qty	No	Picture	Specification	Qty
A		Screw $\varnothing 3 \times 1/2$ "	32	E		Metal Clip	4
B		Screw $\varnothing 3 \times 5/8$ "	20	F		Hinges	10
C		Screw $\varnothing 4 \times 5/8$ "	10	G		Bumper	8
D		Screw $\varnothing 4 \times 1 \frac{3}{16}$ "	3	H		Shelf Clip	12





step 5



step 6

