










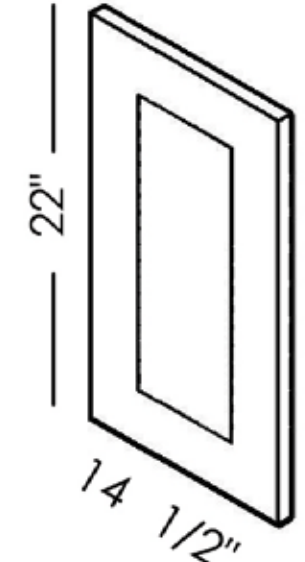
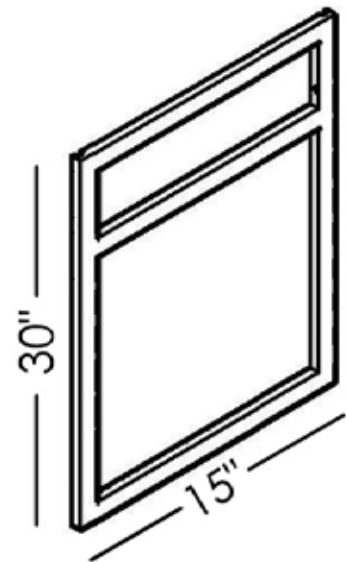
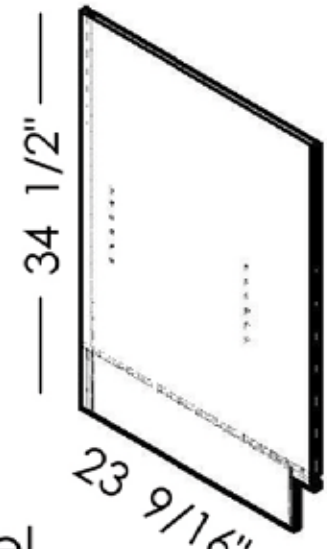
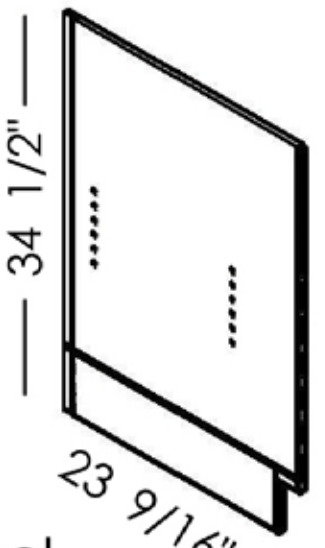
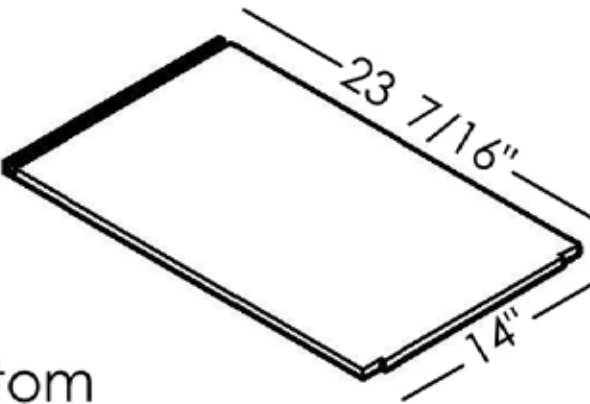
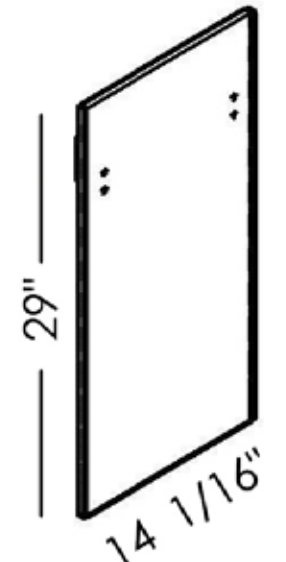
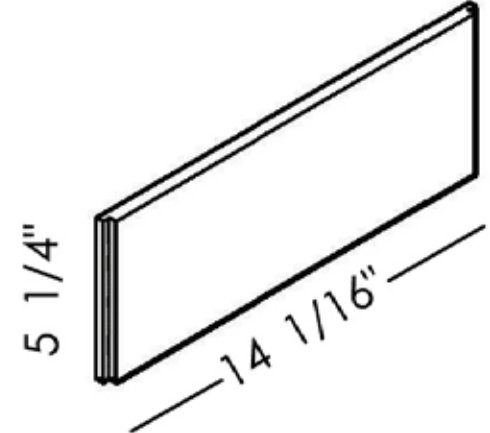
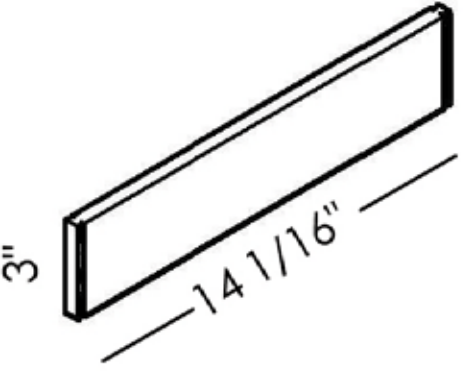
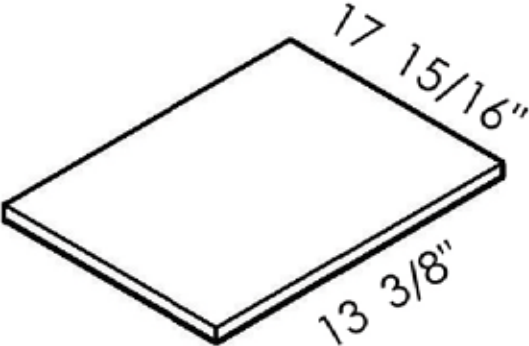
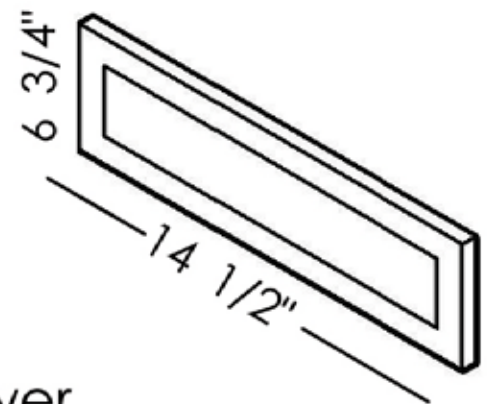
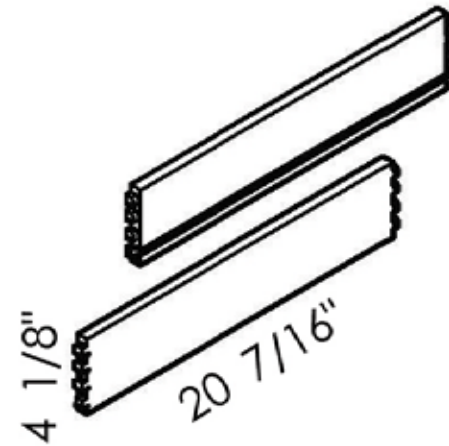
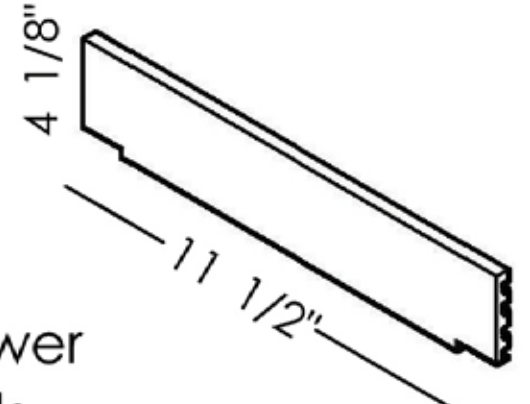
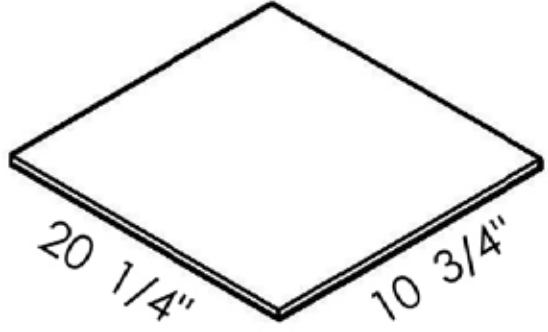
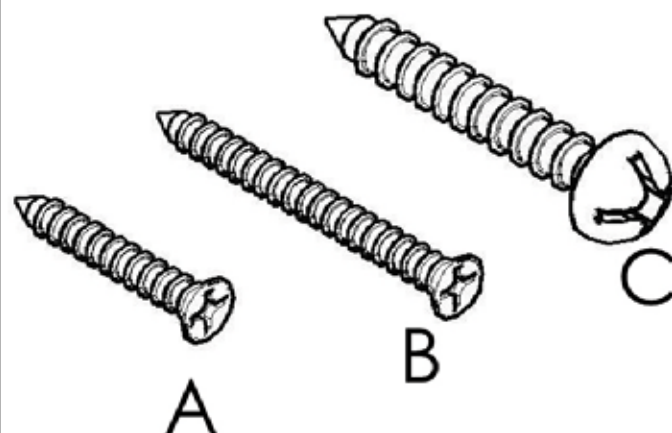


Part List

B15

Unit: inch

No	Picture	Specification	Qty
A		Screw $\text{Ø}3 \times 1/2$ "	32
B		Screw $\text{Ø}3 \times 5/8$ "	4
C		Screw $\text{Ø}4 \times 5/8$ "	2
D		L Bracket	2
E		Drawer Glides	2
F		Glide Connector	2
G		Corner Bracket	4
H		Metal Clip	4
I		Shelf Clip	4
J		Hinges	2
K		Bumper	6

<p>1</p>  <p>Door</p>	<p>2</p>  <p>Face Frame</p>	<p>3</p>  <p>Left Side Panel</p>
<p>4</p>  <p>Right Side Panel</p>	<p>5</p>  <p>Bottom Panel</p>	<p>6</p>  <p>Back Panel</p>
<p>7</p>  <p>Front Toe kick</p>	<p>8</p>  <p>Back Toe kick</p>	<p>9</p>  <p>Shelf</p>
<p>10</p>  <p>Drawer Front</p>		<p>11</p>  <p>Drawer Sides</p>
<p>12</p>  <p>Drawer Back</p>	<p>13</p>  <p>Drawer Bottom</p>	 <p>A B C</p>

Assembly instructions

No	Picture	Specification	Qty	No	Picture	Specification	Qty
A		Screw Ø3*1/2"	32	G		Corner Bracket	4
B		Screw Ø3*5/8"	4	H		Metal Clip	4
C		Screw Ø4*5/8"	2	I		Shelf Clip	4
D		L Bracket	2	J		Hinges	2
E		Drawer Glides	2	K		Bumper	6
F		Glide Connector	2				

